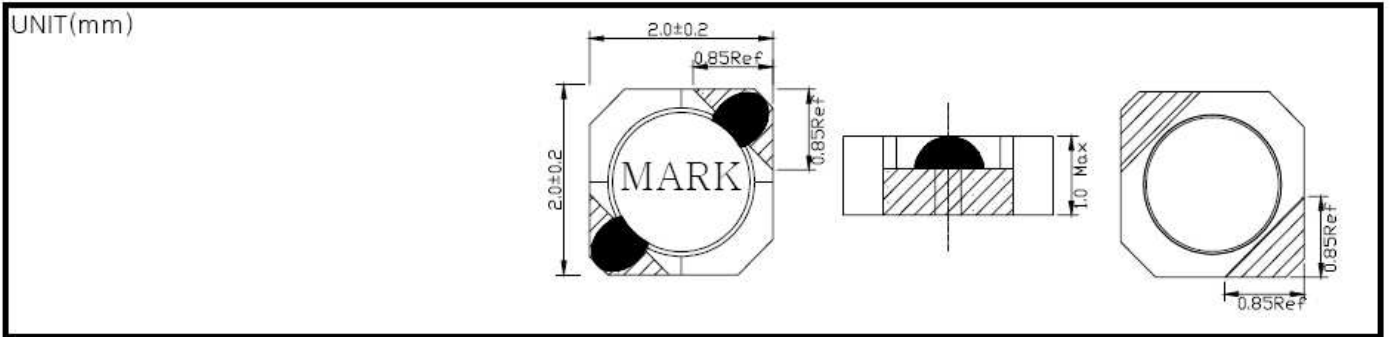


# SMD POWER INDUCTOR RD-2010 SERIES

DIMENSION(mm)



## ELECTRICAL CHARACTERISTICS

Part Number	Inductance (μH) ±20%	DCR (Ω) MAX.	Rated Current (A) MAX.	Mark (Dot Marking)
RD-2010-152	1.5	0.18(0.13)	0.62	Black
RD-2010-222	2.2	0.22(0.19)	0.55	Red
RD-2010-332	3.3	0.35(0.23)	0.46	Gold
RD-2010-472	4.7	0.45(0.39)	0.40	Yellow
RD-2010-682	6.8	0.52(0.42)	0.30	Blue
RD-2010-103	10.0	0.70(0.64)	0.26	White Gold
RD-2010-223	22.0	1.00(0.90)	0.15	Red Gold

## FEATURES

- Low profile (Height 1.0 Max.)
- Magnetically shield to prevent noise radiation.
- Available tape and reel for auto insertion.
- Suitable for reflow soldering.
- Custom design available.  
( Available small current DC/DC converter application. )
- Specially designed for smallest and lowest height products : PDA, notebook, mobile phone, MP3 player, LCD monitors,

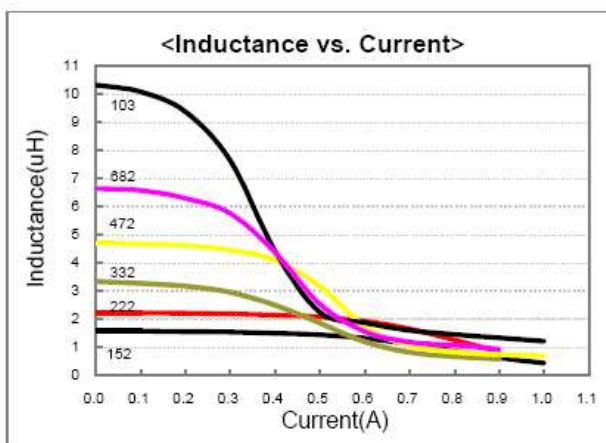
1. Test Condition : 100KHz , 0.1V

2 Electrical specification at 25°C

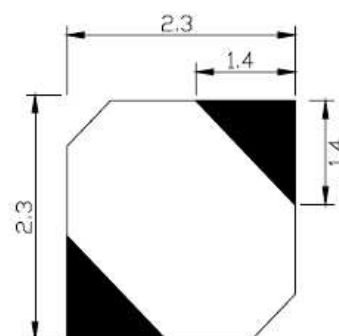
3. Test Instrument : WaneKerr Precision Magnetics Analyzer 3260B.

4. Rated current : ΔT=30°C rise or The inductance becomes 30% lower than its nominal value(Ta=25°C)

## DC BIAS CURVE

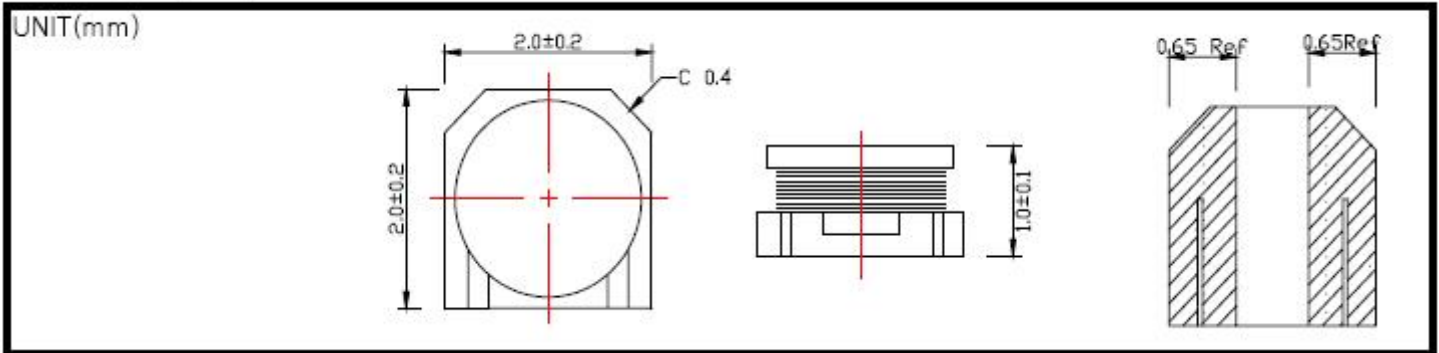


## Land Pattern



# SMD POWER INDUCTOR RD-2010D SERIES

DIMENSION(mm)



## ELECTRICAL CHARACTERISTICS

Part Number	Inductance (μH) ±20%	DCR (Ω) MAX.	Rated Current (A) MAX.
RD-2010D-102	1.0	0.20	2.00
RD-2010D-152	1.5	0.27	1.65
RD-2010D-222	2.2	0.40	1.40
RD-2010D-332	3.3	0.55	1.00
RD-2010D-472	4.7	0.80	0.85
RD-2010D-682	6.8	1.00	0.74
RD-2010D-822	8.2	1.08	0.70
RD-2010D-103	10.0	1.45	0.61
RD-2010D-123	12.0	1.84	0.55
RD-2010D-153	15.0	2.14	0.50
RD-2010D-223	22.0	2.80	0.45
RD-2010D-333	33.0	4.10	0.36
RD-2010D-473	47.0	6.00	0.30
RD-2010D-683	68.0	8.80	0.26
RD-2010D-104	100	15.7	0.19

1. Test Condition : 100KHz , 0.1V

2. Electrical specification at 25°C

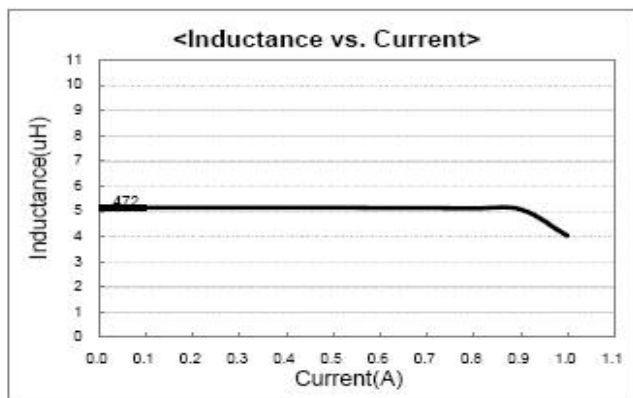
3. Test Instrument : WaneKerr Precision Magnetics Analyzer 3260B.

4. Rated current : ΔT=30°C rise or The inductance becomes 10% lower than its nominal value(Ta=25°C)

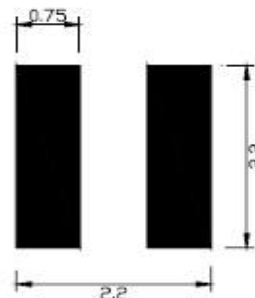
## FEATURES

- Low profile (Height 1.1 Max.)
- Magnetically shield to prevent noise radiation.
- Available tape and reel for auto insertion.
- Suitable for reflow soldering.
- Custom design available.  
( Available small current DC/DC converter application. )
- Specially designed for smallest and lowest height products : PDA, notebook, mobile phone, MP3 player, LCD monitors,

## DC BIAS CURVE

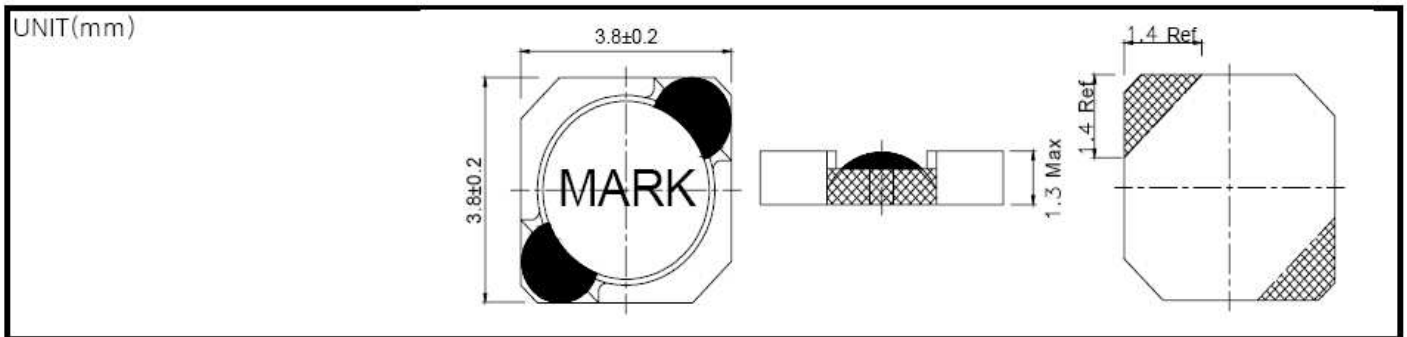


## Land Pattern



# SMD POWER INDUCTOR RD-3813 SERIES

DIMENSION(mm)



## ELECTRICAL CHARACTERISTICS

Part number	Inductance ( $\mu\text{H}$ ) $\pm 20\%$	DCR ( $\Omega$ ) MAX.	Rated Current (A) MAX.	Mark (Dot Marking)
RD-3813-104	100	3.2	0.15	White Yellow
RD-3813-224	220	6.0	0.10	Red Yellow
RD-3813-334	330	10.0	0.08	Gold Yellow
RD-3813-474	470	14.0	0.06	Yellow Yellow
RD-3813-564	560	17.0	0.05	Green Yellow
RD-3813-684	680	20.0	0.045	Blue Yellow
RD-3813-824	820	24.0	0.04	Silver Yellow
RD-3813-105	1000	27.0	0.04	White Green

## FEATURES

- Low profile (Height 1.3 Max.)
- Magnetically shield to prevent noise radiation.
- Ideal for IC inverter EL lamp driver application.
- Available tape and reel for auto insertion.
- Suitable for reflow soldering.
- Custom design available.  
( Available small current DC/DC converter application. )
- Specially designed for smallest and lowest height products : PDA, notebook, mobile phone, MP3 player, LCD monitors,

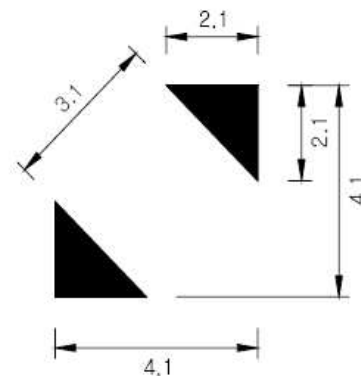
1. Test Condition : 100KHz , 0.1V

2 Electrical specification at 25°C

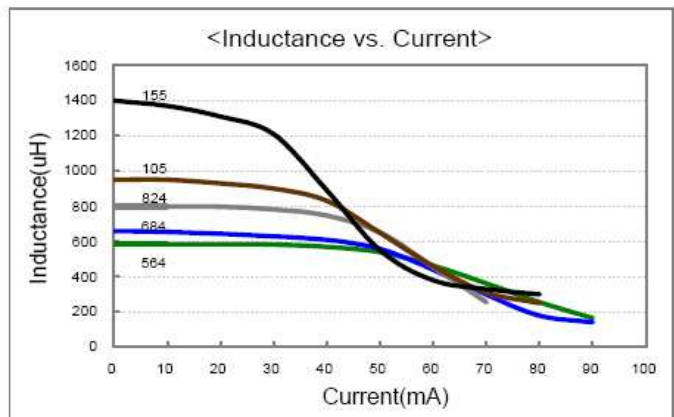
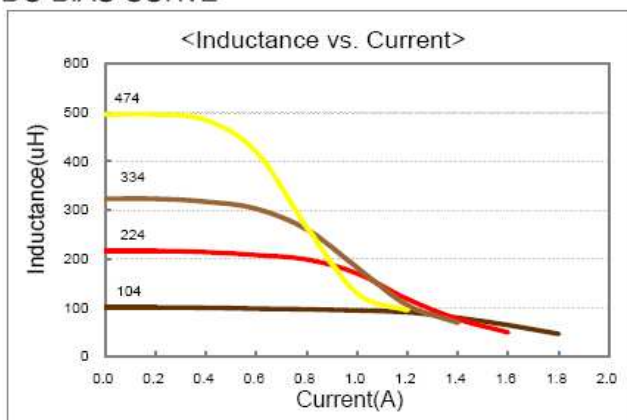
3. Test Instrument : WaneKerr Precision Magnetics Analyzer 3260B.

4. Rated current :  $\Delta T=30^\circ\text{C}$  rise or The inductance becomes 30% lower than its nominal value( $T_a=25^\circ\text{C}$ )

## Land Pattern

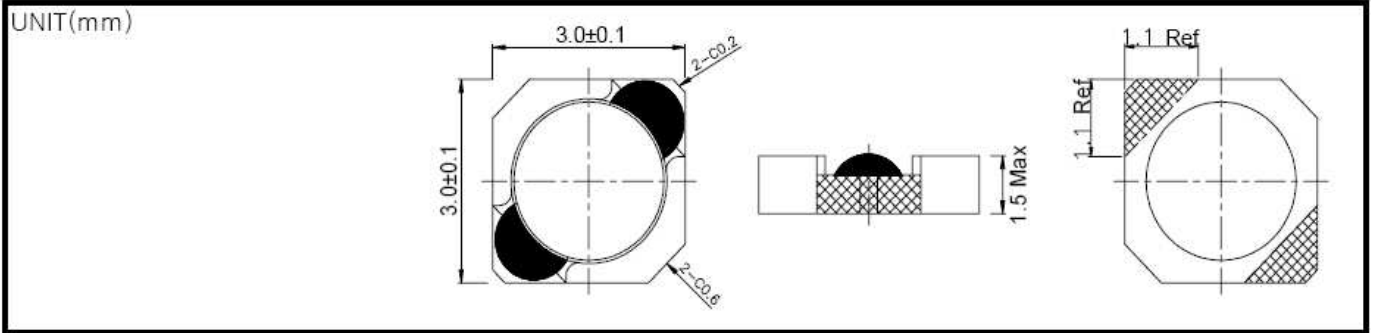


## DC BIAS CURVE



# SMD POWER INDUCTOR RD-3015 SERIES

DIMENSION(mm)



## ELECTRICAL CHARACTERISTICS

Part number	Inductance ( $\mu$ H) $\pm 20\%$	DCR ( $\Omega$ ) MAX.	Rated Current (A) MAX.	Mark (Dot Marking)
RD-3015-152	1.5	0.040	1.65	Black
RD-3015-222	2.2	0.053	1.40	Red
RD-3015-332	3.3	0.087	1.10	Gold
RD-3015-472	4.7	0.116	0.90	Yellow
RD-3015-682	6.8	0.146	0.85	Blue
RD-3015-103	10	0.222	0.88	White Gold
RD-3015-153	15	0.372	0.58	Black Gold
RD-3015-223	22	0.456	0.40	Red Gold
RD-3015-333	33	0.825	0.35	Gold Gold
RD-3015-473	47	0.963	0.30	Yellow Gold
RD-3015-683	68	1.583	0.24	Blue Gold

## FEATURES

- Low profile (Height 1.5 Max.)
- Magnetically shield to prevent noise radiation.
- Ideal for IC inverter EL lamp driver application.
- Available tape and reel for auto insertion.
- Suitable for reflow soldering.
- Custom design available.  
( Available small current DC/DC converter application. )
- Specially designed for smallest and lowest height products : PDA, notebook, mobile phone, MP3 player, LCD monitors,

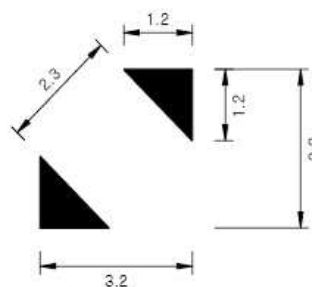
1. Test Condition : 100KHz , 0.1V

2. Electrical specification at 25°C

3. Test Instrument : WaneKerr Precision Magnetism Analyzer 3260B.

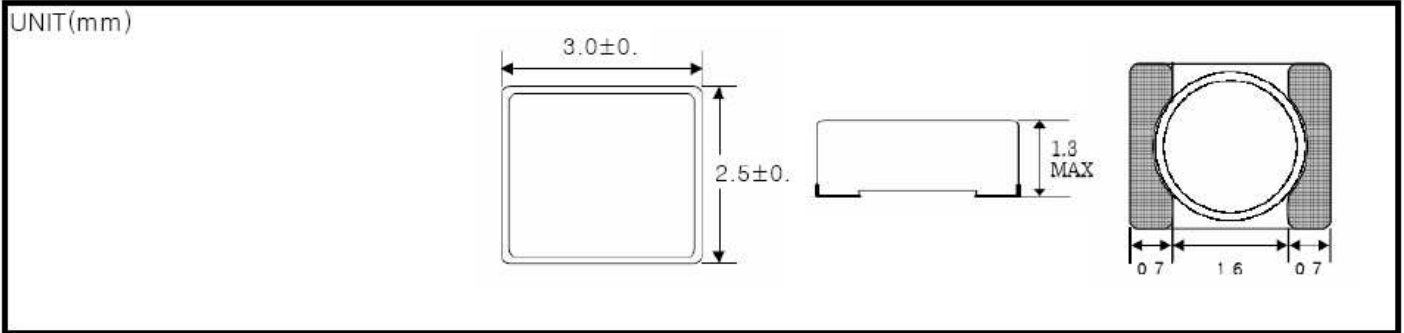
4. Rated current :  $\Delta T=30^\circ\text{C}$  rise or The inductance becomes 30% low than its nominal value ( $T_a=25^\circ\text{C}$ )

## Land Pattern



# SMD POWER INDUCTOR RD-3013 SERIES

DIMENSION(mm)



## ELECTRICAL CHARACTERISTICS

Part number	Inductance ( $\mu\text{H}$ ) $\pm 20\%$	DCR ( $\Omega$ ) MAX.	Rated Current (A) MAX.
RD-3013-2R2	2.2	0.28	1.30
RD-3013-3R3	3.3	0.32	1.10
RD-3013-4R7	4.7	0.60	0.90
RD-3013-6R8	6.8	0.80	0.70
RD-3013-100	10	1.10	0.55
RD-3013-150	15	1.90	0.50
RD-3013-220	22	2.35	0.45
RD-3013-330	33	3.10	0.36
RD-3013-470	47	5.70	0.28
RD-3013-680	68	8.20	0.21

## FEATURES

- Height 1.3mm.
- Magnetically shield to prevent noise radiation and low DC resistance.
- Suitable for large current.
- Ideal for DC/DC converter inductor application in hand help LCD Display, note-book graphic-card etc.
- Available tape and reel for auto insertion.
- Suitable for reflow soldering.
- Custom design available.

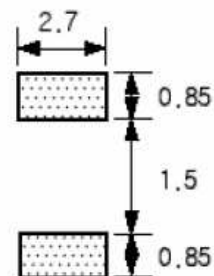
1. Test Condition : 100KHz , 0.1V

2. Electrical specification at 25°C

3. Test Instrument : WaneKerr Precision Magnetics Analyzer 3260B.

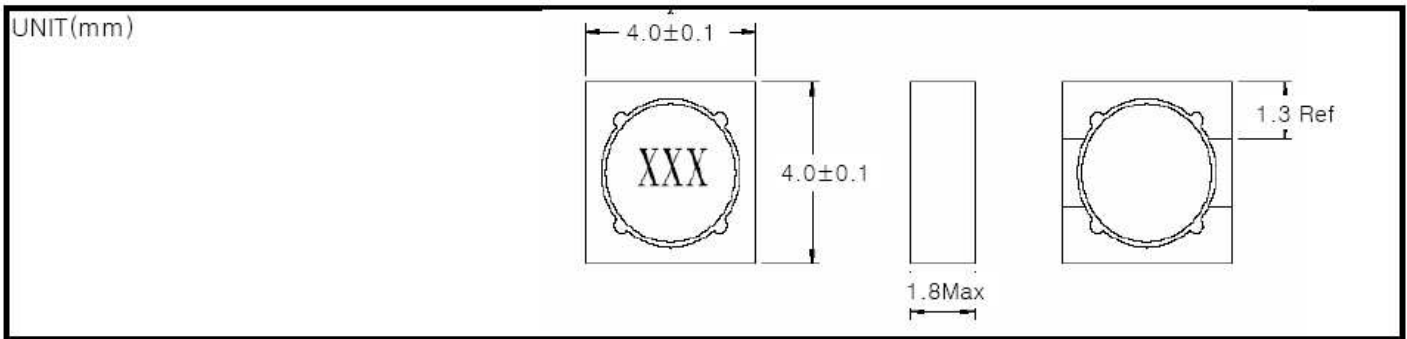
4. Rated current :  $\Delta T = 30^\circ\text{C}$  rise or The inductance becomes 10% lower than its nominal value ( $T_a = 25^\circ\text{C}$ )

## Land Pattern



# SMD POWER INDUCTOR RD-4018 SERIES

DIMENSION(mm)



## ELECTRICAL CHARACTERISTICS

Part number	Inductance ( $\mu\text{H}$ ) $\pm 20\%$	DCR ( $\Omega$ ) MAX.	Rated Current (A) MAX.
RD-4018-222	2.2	0.058	1.25
RD-4018-332	3.3	0.085	1.10
RD-4018-472	4.7	0.105	0.90
RD-4018-682	6.8	0.156	0.75
RD-4018-103	10	0.205	0.56
RD-4018-153	15	0.285	0.45
RD-4018-223	22	0.450	0.36
RD-4018-333	33	0.660	0.32
RD-4018-473	47	1.00	0.25
RD-4018-683	68	1.45	0.22
RD-4018-104	100	2.40	0.18

## FEATURES

- Height 1.8mm.
- Magnetically shield to prevent noise radiation and low DC resistance.
- Suitable for large current.
- Ideal for DC/DC converter inductor application in hand help LCD Display, note-book graphic-card etc.
- Available tape and reel for auto insertion.
- Suitable for reflow soldering.
- Custom design available.

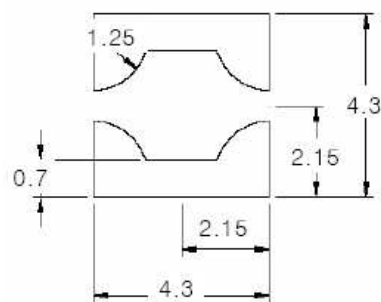
1. Test Condition : 100KHz , 0.1V

2. Electrical specification at 25°C

3. Test Instrument : WaneKerr Precision Magnetics Analyzer 3260B.

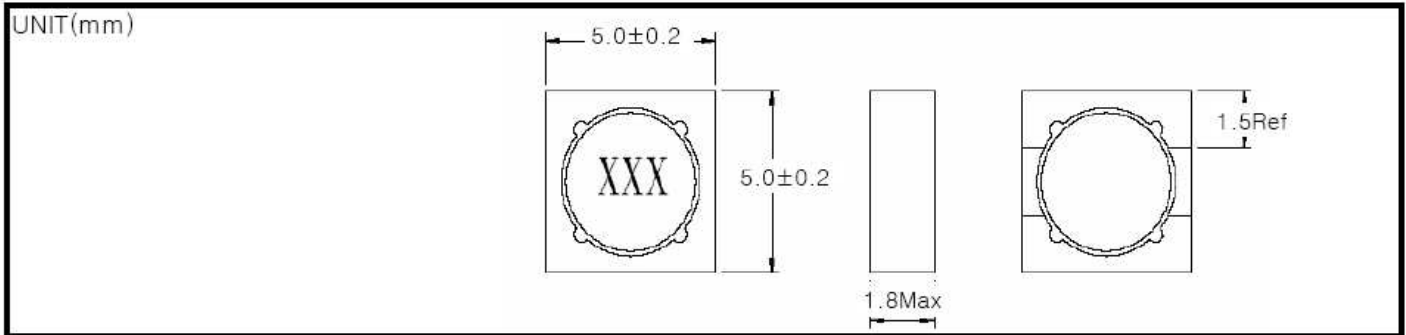
4. Rated current :  $\Delta T=30^\circ\text{C}$  rise or The inductance becomes 35% lower than its nominal value( $T_a=25^\circ\text{C}$ )

## Land Pattern



# SMD POWER INDUCTOR RD-5018 SERIES

DIMENSION(mm)



## ELECTRICAL CHARACTERISTICS

Part number	Inductance ( $\mu\text{H}$ ) $\pm 20\%$	DCR ( $\Omega$ ) MAX.	Rated Current (A) MAX.
RD-5018-102	1.0	0.038	3.800
RD-5018-222	2.2	0.045	2.550
RD-5018-332	3.3	0.075	2.070
RD-5018-472	4.7	0.100	1.770
RD-5018-682	6.8	0.130	1.600
RD-5018-103	10	0.200	1.280
RD-5018-153	15	0.290	1.060
RD-5018-223	22	0.420	0.876
RD-5018-333	33	0.630	0.715
RD-5018-473	47	0.97	0.578
RD-5018-683	68	1.23	0.514
RD-5018-824	82	1.63	0.446
RD-5018-104	100	1.84	0.419

## FEATURES

- Height 1.8mm.
- Magnetically shield to prevent noise radiation and low DC resistance.
- Suitable for large current.
- Ideal for DC/DC converter inductor application in hand help LCD Display, note-book graphic-card etc.
- Available tape and reel for auto insertion.
- Suitable for reflow soldering.
- Custom design available.

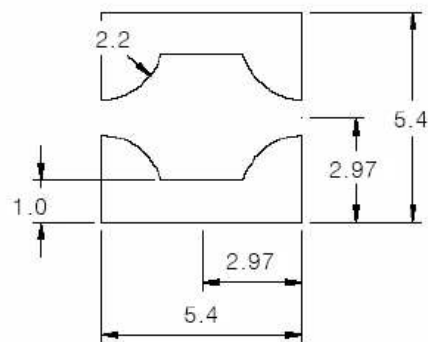
1. Test Condition : 100KHz , 0.1V

2. Electrical specification at 25°C

3. Test Instrument : WaneKerr Precision Magnetics Analyzer 3260B.

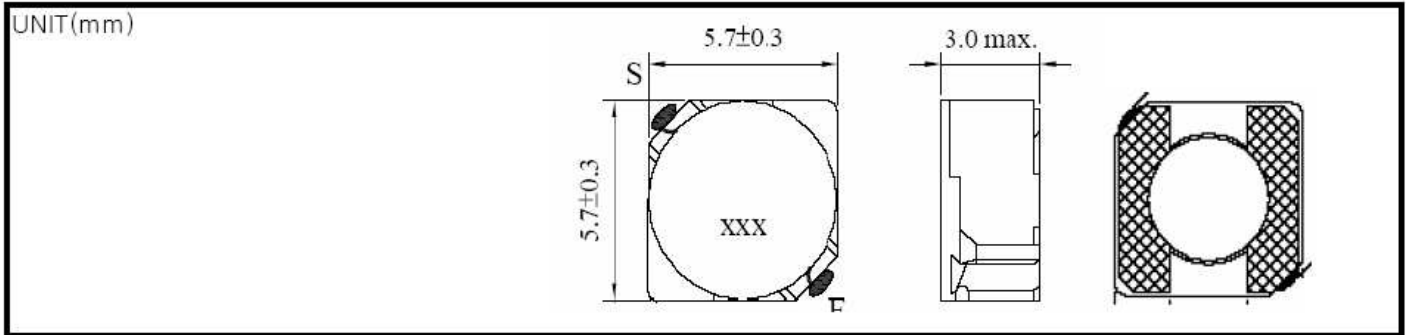
4. Rated current :  $\Delta T = 30^\circ\text{C}$  rise or The inductance becomes 30% lower than its nominal value ( $T_a = 25^\circ\text{C}$ )

## Land Pattern



# SMD POWER INDUCTOR RD-5730 SERIES

DIMENSION(mm)



## ELECTRICAL CHARACTERISTICS

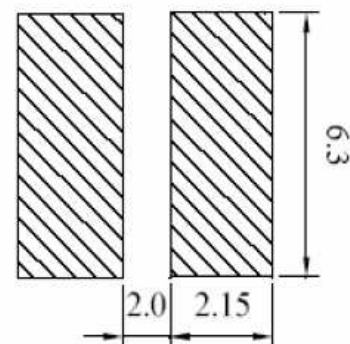
Part number	Inductance ( $\mu\text{H}$ ) $\pm 20\%$	DCR ( $\Omega$ ) MAX.	Rated Current (A) MAX.	Mark (Number Marking)
RD-5730-472	3.3 $\pm 30\%$	0.026	2.30	332
RD-5730-473	4.7	0.035	2.00	472
RD-5730-473	6.8	0.050	1.75	682
RD-5730-474	10	0.065	1.30	103
RD-5730-475	15	0.103	1.10	153
RD-5730-476	22	0.122	0.90	223
RD-5730-477	33	0.189	0.75	333
RD-5730-478	47	0.250	0.62	473
RD-5730-479	56	0.305	0.58	563
RD-5730-480	68	0.355	0.52	683
RD-5730-481	82	0.463	0.46	823
RD-5730-482	100	0.520	0.42	104

## FEATURES

- Height 3.0mm.6.0mm square.
- Magnetically shield to prevent noise radiation and low DC resistance.
- Suitable for large current.
- Ideal for DC/DC converter inductor application in hand help LCD Display,note-book graphic-card etc.
- Available tape and reel for auto insertion.
- Suitable for reflow soldering.
- Custom design available.

1. Test Condition : 100KHz , 0.1V
2. Electrical specification at 25 $^{\circ}\text{C}$
3. Test Instrument : WaneKerr Precision Magnetics Analyzer 3260B.
4. Rated current :  $\Delta T=30^{\circ}\text{C}$  rise or The inductance becomes 35% lower than its nominal value( $T_a=25^{\circ}\text{C}$ )

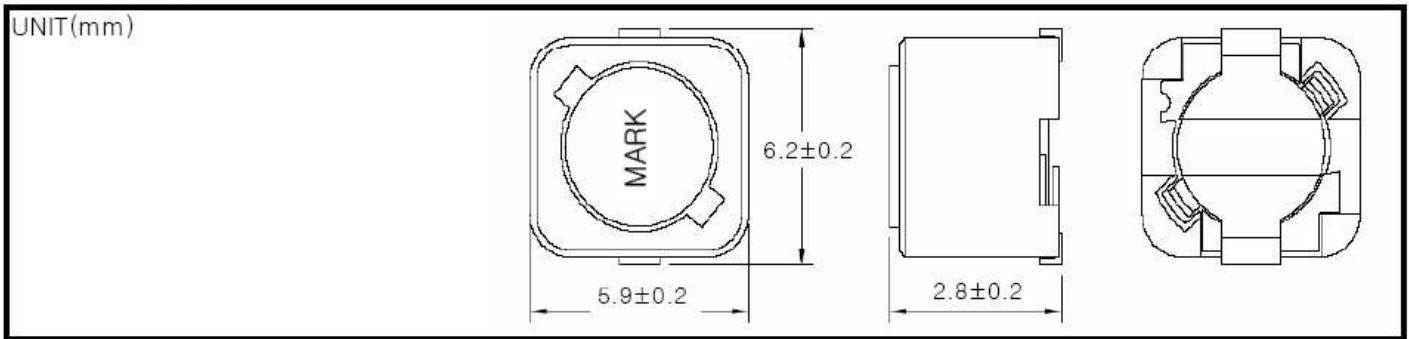
## Land Pattern





# SMD POWER INDUCTOR RD-6226 SERIES

DIMENSION(mm)



## ELECTRICAL CHARACTERISTICS

Part number	Inductance ( $\mu\text{H}$ ) $\pm 20\%$	DCR ( $\Omega$ ) MAX.	Rated Current (A) MAX.
RD-6226-100	10	0.16	1.7
RD-6226-150	15	0.23	1.5
RD-6226-220	22	0.30	1.3
RD-6226-330	33	0.47	1.0
RD-6226-470	47	0.65	0.85
RD-6226-680	68	0.85	0.75
RD-6226-101	100	1.0	0.60
RD-6226-151	150	1.7	0.50
RD-6226-221	220	2.7	0.40
RD-6226-331	330	3.3	0.30

## FEATURES

- Height 2.8mm.
- Magnetically shield to prevent noise radiation and low DC resistance.
- Suitable for large current.
- Ideal for DC/DC converter inductor application in hand help LCD Display, note-book graphic-card etc.
- Available tape and reel for auto insertion.
- Suitable for reflow soldering.
- Custom design available.

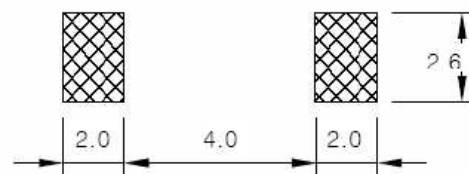
1. Test Condition : 100KHz , 0.1V

2. Electrical specification at 25°C

3. Test Instrument : WaneKerr Precision Magnetics Analyzer 3260B.

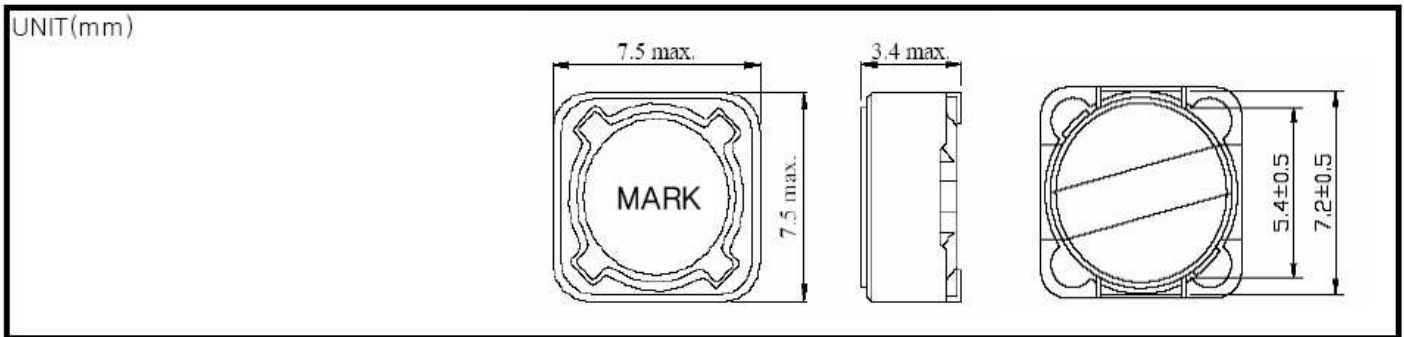
4. Rated current :  $\Delta T=30^\circ\text{C}$  rise or The inductance becomes 10% lower than its nominal value( $T_a=25^\circ\text{C}$ )

## Land Pattern



# SMD POWER INDUCTOR RD-7332 SERIES

DIMENSION(mm)



## ELECTRICAL CHARACTERISTICS

Part number	Inductance ( $\mu\text{H}$ ) $\pm 20\%$	DCR ( $\Omega$ ) MAX.	Rated Current (A) MAX.	Mark (Number Marking)
RD-7332-103	10	0.07	1.68	103
RD-7332-153	15	0.13	1.33	153
RD-7332-223	22	0.19	1.07	223
RD-7332-333	33	0.24	0.91	333
RD-7332-473	47	0.36	0.76	473
RD-7332-683	68	0.52	0.61	683
RD-7332-823	82	0.69	0.57	823
RD-7332-104	100	0.79	0.50	104
RD-7332-154	150	1.27	0.40	154
RD-7332-224	220	1.65	0.35	224
RD-7332-334	330	2.62	0.28	334
RD-7332-474	470	4.18	0.24	474
RD-7332-564	560	4.67	0.22	564
RD-7332-684	680	5.73	0.19	684
RD-7332-824	820	6.54	0.18	824

## FEATURES

- Height 3.4mm.
- Magnetically shield to prevent noise radiation and low DC resistance.
- Suitable for large current.
- Ideal for DC/DC converter inductor application in hand help LCD Display, note-book graphic-card etc.
- Available tape and reel for auto insertion.
- Suitable for reflow soldering.
- Custom design available.

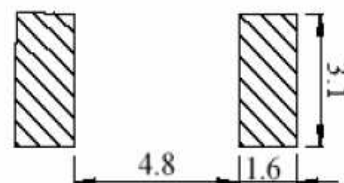
1. Test Condition : 100KHz , 0.1V

2. Electrical specification at 25°C

3. Test Instrument : WaneKerr Precision Magnetics Analyzer 3260B.

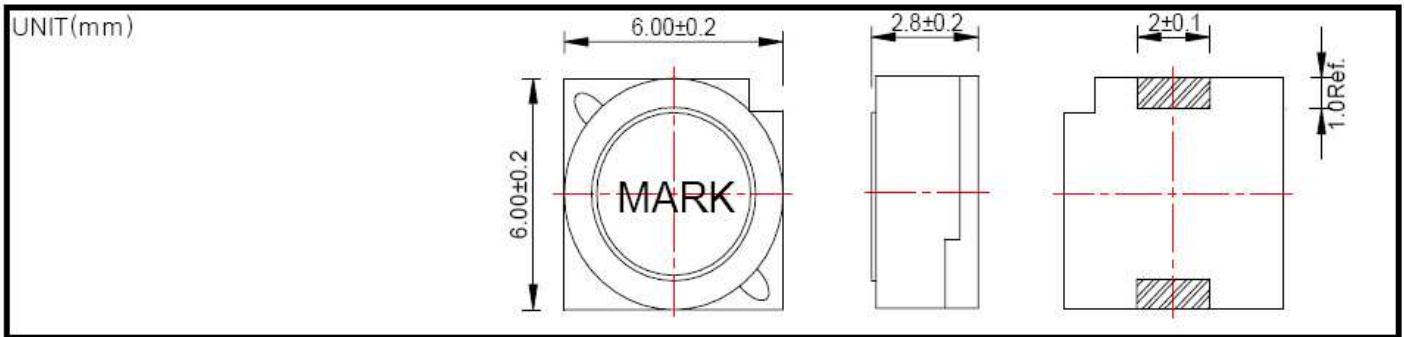
4. Rated current :  $\Delta T=30^\circ\text{C}$  rise or The inductance becomes 10% lower than its nominal value( $T_a=25^\circ\text{C}$ )

## Land Pattern



# SMD POWER INDUCTOR RD-6028 SERIES

DIMENSION(mm)



## ELECTRICAL CHARACTERISTICS

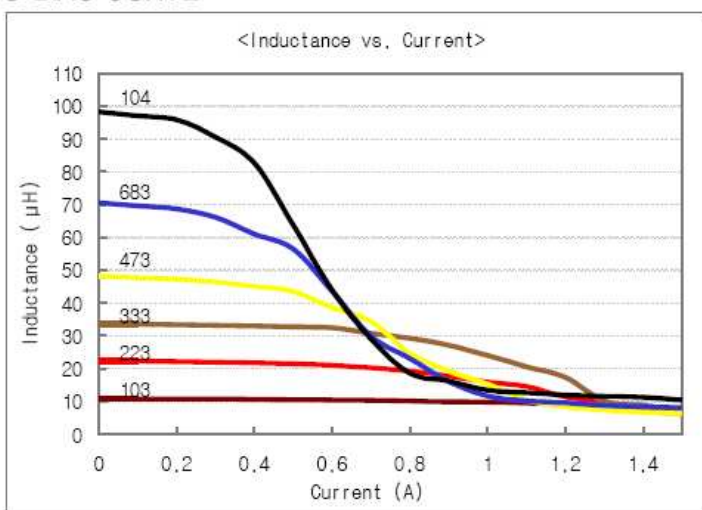
Part number	Inductance (μH) ±20%	DCR (Ω) MAX.	Rated Current (A) MAX.	Mark (Number Marking)
RD-6028-472	4.7	0.04	1.6	472
RD-6028-682	6.8	0.05	1.5	682
RD-6028-103	10	0.10	1.3	103
RD-6028-153	15	0.09	1.0	153
RD-6028-223	22	0.15	0.77	223
RD-6028-333	33	0.25	0.69	333
RD-6028-473	47	0.30	0.59	473
RD-6028-104	100	0.52	0.42	104

## FEATURES

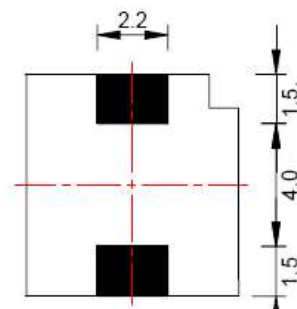
- Height 2.8mm.6.0mm square.
- Magnetically shield to prevent noise radiation and low DC resistance.
- Suitable for large current.
- Ideal for DC/DC converter inductor application in hand help LCD Display,note-book graphic-card etc.
- Available tape and reel for auto insertion.
- Suitable for reflow soldering.
- Custom design available.

1. Test Condition : 100KHz , 0.1V
2. Electrical specification at 25°C
3. Test Instrument : WaneKerr Precision Magnetics Analyzer 3260B.
4. Rated current : ΔT=30°C rise or The inductance becomes 30% lower than its nominal value(Ta=25°C)

## DC BIAS CURVE

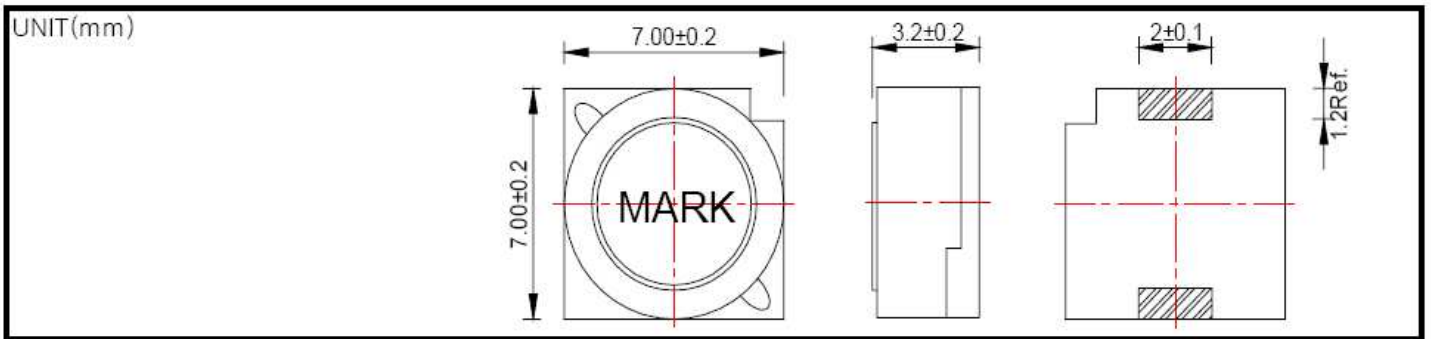


## Land Pattern



# SMD POWER INDUCTOR RD-7032 SERIES

DIMENSION(mm)



## ELECTRICAL CHARACTERISTICS

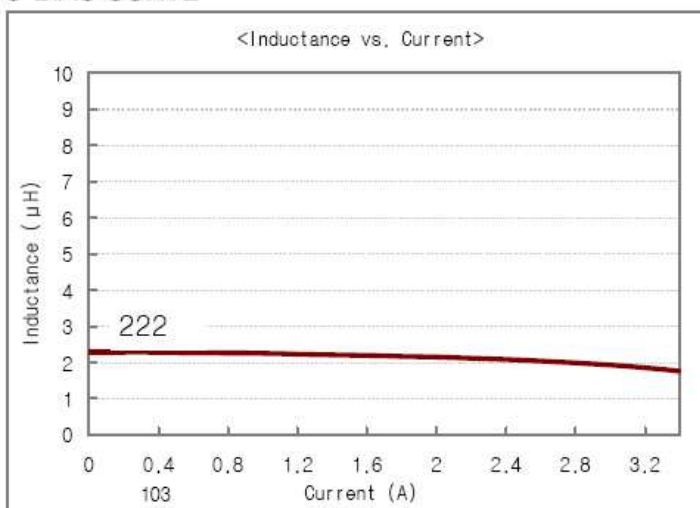
Part number	Inductance (μH) ±20%	DCR (Ω) MAX.	Rated Current (A) MAX.	Mark (Number Marking)
RD-7032-102	1	0.0084	5.30	102
RD-7032-152	1.5	0.012	4.90	152
RD-7032-222	2.2	0.14	4.40	222
RD-7032-332	3.3	0.0276	1.90	333
RD-7032-472	4.7	0.0432	1.70	473
RD-7032-682	6.8	0.05	1.60	683
RD-7032-103	10	0.0636	1.40	103
RD-7032-153	15	0.09	1.10	153
RD-7032-223	22	0.13	0.96	223
RD-7032-333	33	0.192	0.75	333
RD-7032-473	47	0.288	0.67	473
RD-7032-683	68	0.37	0.59	683
RD-7032-104	100	0.54	0.45	104
RD-7032-224	220	1.26	0.29	224

## FEATURES

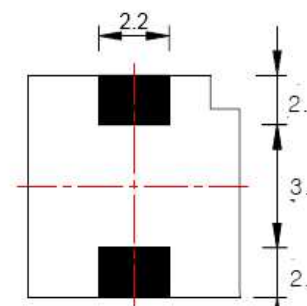
- Height 2.8mm, 6.0mm square.
- Magnetically shield to prevent noise radiation and low DC resistance.
- Suitable for large current.
- Ideal for DC/DC converter inductor application in hand help LCD Display, note-book graphic-card etc.
- Available tape and reel for auto insertion.
- Suitable for reflow soldering.
- Custom design available.

1. Test Condition : 100KHz , 0.1V
2. Electrical specification at 25°C
3. Test Instrument : WaneKerr Precision Magnetics Analyzer 3260B.
4. Rated current : ΔT=30°C rise or The inductance becomes 10% lower than its nominal value(Ta=25°C)

## DC BIAS CURVE

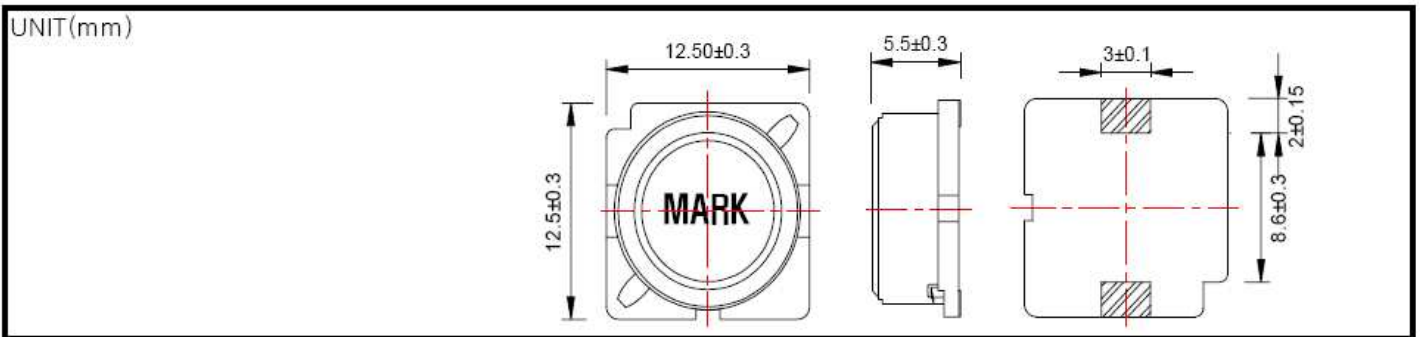


## Land Pattern



# SMD POWER INDUCTOR RD-1255 SERIES

DIMENSION(mm)



## ELECTRICAL CHARACTERISTICS

Part number	Inductance (μH) ±20%	DCR (Ω) MAX.	Rated Current (A) MAX.	Mark (Number Marking)
RD-1255-602	6	0.02	3.6	602
RD-1255-103	10	0.026	3.4	103
RD-1255-153	15	0.031	2.8	153
RD-1255-223	22	0.041	2.3	223
RD-1255-333	33	0.05	1.9	333
RD-1255-473	47	0.074	1.6	473
RD-1255-683	68	0.1	1.3	683
RD-1255-104	100	0.14	1.1	104
RD-1255-224	220	0.324	0.72	224
RD-1255-334	330	0.5	0.59	334
RD-1255-474	470	0.63	0.49	474
RD-1255-684	680	0.95	0.43	684
RD-1255-105	1000	1.34	0.34	105
RD-1255-155	1500	2.1	0.29	155

## FEATURES

- Height 5.8mm
- Magnetically shield to prevent noise radiation and low DC resistance.
- Suitable for large current.
- Ideal for DC/DC converter inductor application in hand help LCD Display,note-book graphic-card etc.
- Available tape and reel for auto insertion.
- Suitable for reflow soldering.
- Custom design available.

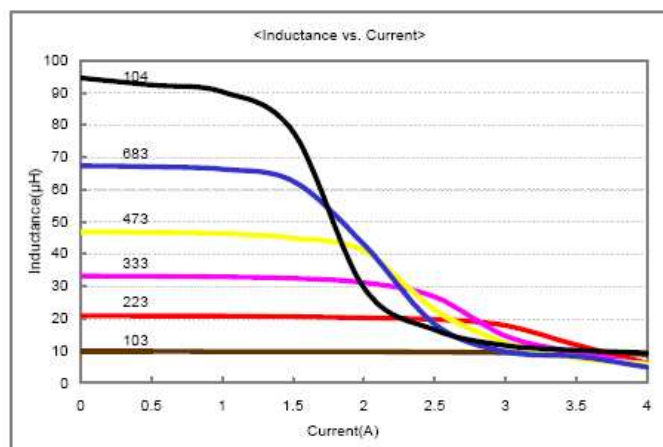
1. Test Condition : 100KHz , 0.1V

2. Electrical specification at 25°C

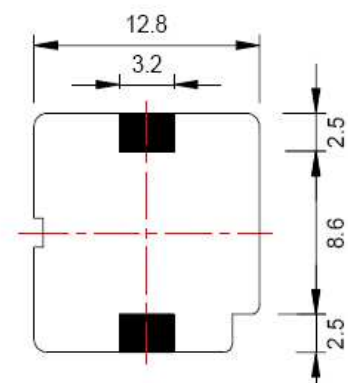
3. Test Instrument : WaneKerr Precision Magnetics Analyzer 3260B.

4. Rated current : ΔT=30°C rise or The inductance becomes 30% lower than its nominal value(Ta=25°C)

## DC BIAS CURVE

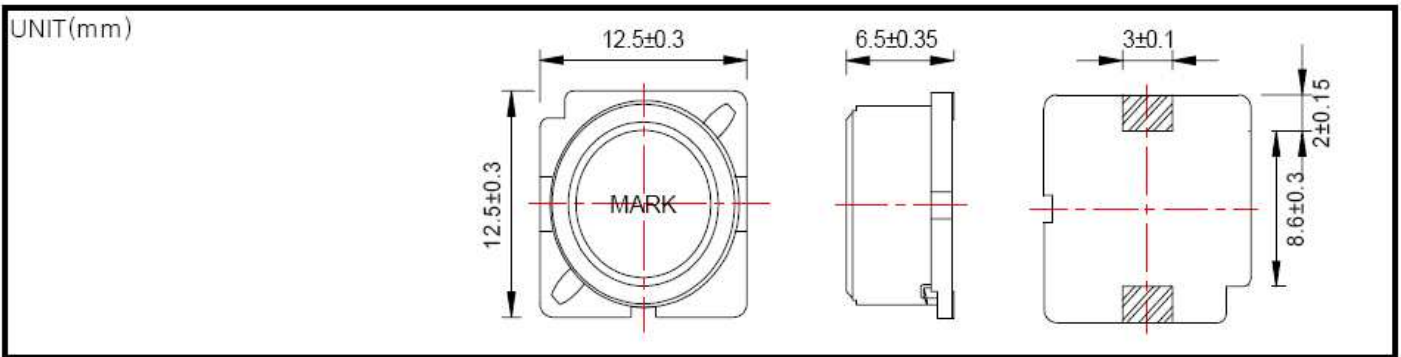


## Land Pattern



# SMD POWER INDUCTOR RD-1265 SERIES

DIMENSION(mm)



## ELECTRICAL CHARACTERISTICS

Part number	Inductance (μH) ±20%	DCR (Ω) MAX.	Rated Current (A) MAX.	Mark (Number Marking)
RD-1265-202	2±30%	0.014	10	202
RD-1265-422	4.2±30%	0.018	7.3	422
RD-1265-702	7±30%	0.021	5.7	702
RD-1265-103	10	0.024	5.0	103
RD-1265-153	15	0.03	4.2	153
RD-1265-223	22	0.038	3.5	223
RD-1265-333	33	0.049	2.8	333
RD-1265-683	68	0.094	2.0	683
RD-1265-104	100	0.148	1.60	104
RD-1265-224	220	0.33	1.0	224

## FEATURES

- Magnetically shield to prevent noise radiation and low DC resistance.
- Suitable for large current.
- Ideal for DC/DC converter inductor application in hand help LCD Display, note-book graphic-card etc.
- Available tape and reel for auto insertion.
- Suitable for reflow soldering.
- Custom design available.

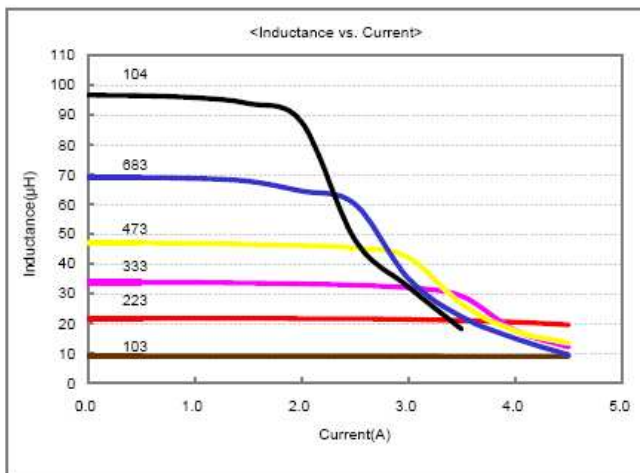
1. Test Condition : 100KHz , 0.1V

2. Electrical specification at 25°C

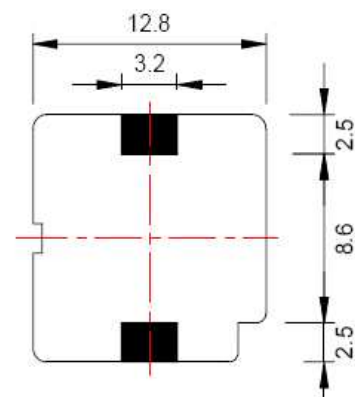
3. Test Instrument : WaneKerr Precision Magnetics Analyzer 3260B.

4. Rated current : ΔT=30°C rise or The inductance becomes 30% lower than its nominal value(Ta=25°C)

## DC BIAS CURVE

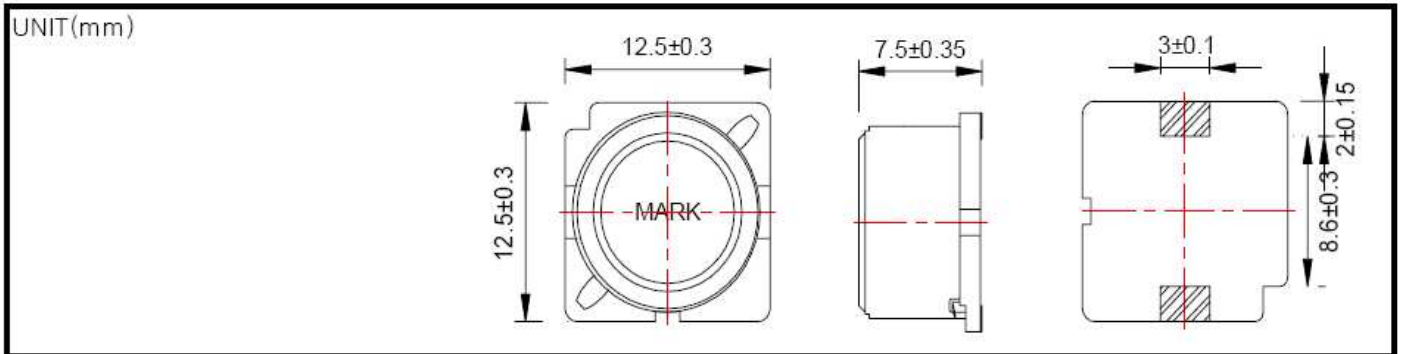


## Land Pattern



# SMD POWER INDUCTOR RD-1275 SERIES

DIMENSION(mm)



## ELECTRICAL CHARACTERISTICS

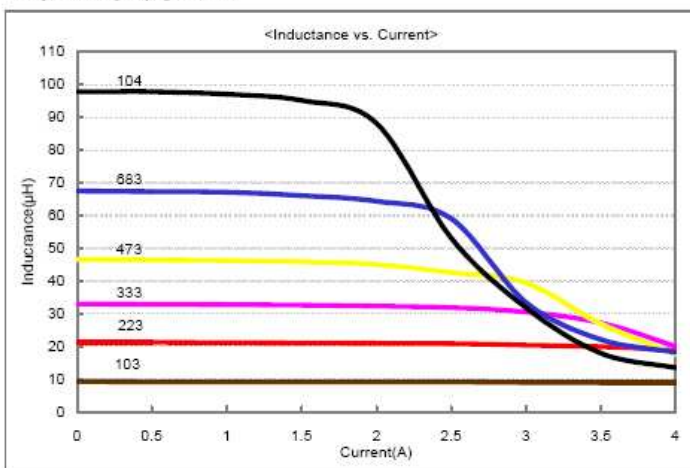
Part number	Inductance (μH) ±20%	DCR (Ω) MAX.	Rated Current (A) MAX.	Mark (Number Marking)
RD-1275-122	1.2±30%	0.008	13	122
RD-1275-272	2.7±30%	0.011	10.0	272
RD-1275-392	3.9±30%	0.012	9.0	392
RD-1275-562	5.6±30%	0.014	7.8	562
RD-1275-682	6.8±30%	0.016	7.2	682
RD-1275-103	10±20%	0.018	5.5	103
RD-1275-153	15	0.022	4.7	153
RD-1275-223	22	0.032	4.0	223
RD-1275-473	47	0.063	2.70	473
RD-1275-683	68	0.093	2.0	683
RD-1275-104	100	0.15	1.9	104
RD-1275-154	150	0.21	1.5	154
RD-1275-224	220	0.31	1.3	224

## FEATURES

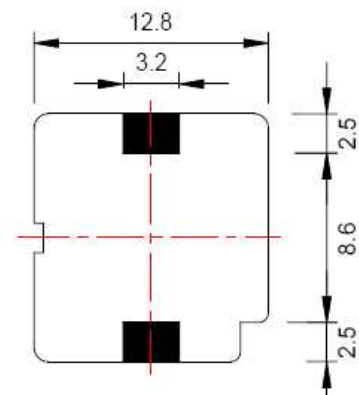
- Magnetically shield to prevent noise radiation and low DC resistance.
- Suitable for large current.
- Ideal for DC/DC converter inductor application in hand help LCD Display, note-book graphic-card etc.
- Available tape and reel for auto insertion.
- Suitable for reflow soldering.
- Custom design available.

1. Test Condition : 100KHz , 0.1V
2. Electrical specification at 25°C
3. Test Instrument : WaneKerr Precision Magnetics Analyzer 3260B.
4. Rated current : ΔT=30°C rise or The inductance becomes 30% lower than its nominal value(Ta=25°C)

## DC BIAS CURVE



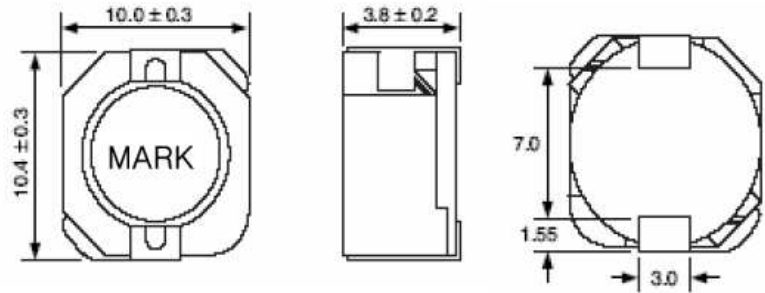
## Land Pattern



# SMD POWER INDUCTOR RD-1040 SERIES

DIMENSION(mm)

UNIT(mm)



## ELECTRICAL CHARACTERISTICS

Part number	Inductance (μH) ±20%	DCR (Ω) MAX.	Rated Current (A) MAX.	Mark (Number Marking)
RD-1040-152	1.5	0.010	6.50	152
RD-1040-222	2.2	0.012	5.70	222
RD-1040-332	3.3	0.013	5.50	332
RD-1040-472	4.7	0.016	5.20	472
RD-1040-682	6.8	0.025	5.00	682
RD-1040-822	8.2	0.027	4.80	822
RD-1040-103	10	0.035	3.80	103
RD-1040-153	15	0.050	3.10	153
RD-1040-223	22	0.073	2.50	223
RD-1040-333	33	0.093	2.20	333
RD-1040-473	47	0.150	1.90	473
RD-1040-683	68	0.213	1.42	683
RD-1040-104	100	0.304	1.25	104
RD-1040-224	220	0.756	0.70	224
RD-1040-334	330	1.090	0.52	334

## FEATURES

- Magnetically shield to prevent noise radiation and low DC resistance.
- Suitable for large current.
- Ideal for DC/DC converter inductor application in hand help LCD Display, note-book graphic-card etc.
- Available tape and reel for auto insertion.
- Suitable for reflow soldering.
- Custom design available.

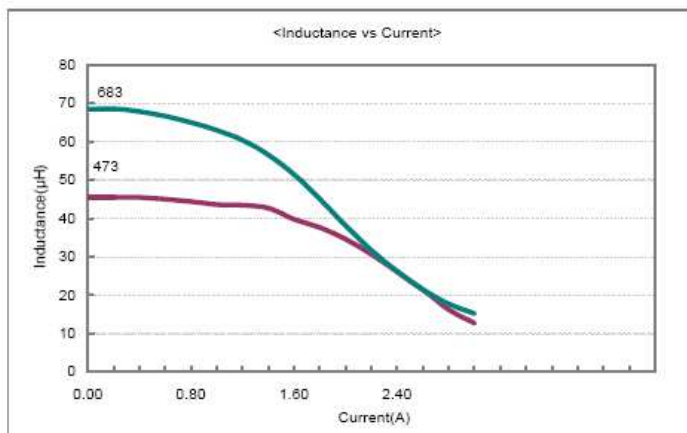
1. Test Condition : 100KHz , 0.1V

2. Electrical specification at 25°C

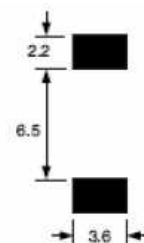
3. Test Instrument : WaneKerr Precision Magnetics Analyzer 3260B.

4. Rated current : ΔT=30°C rise or The inductance becomes 30% lower than its nominal value(Ta=25°C)

## DC BIAS CURVE



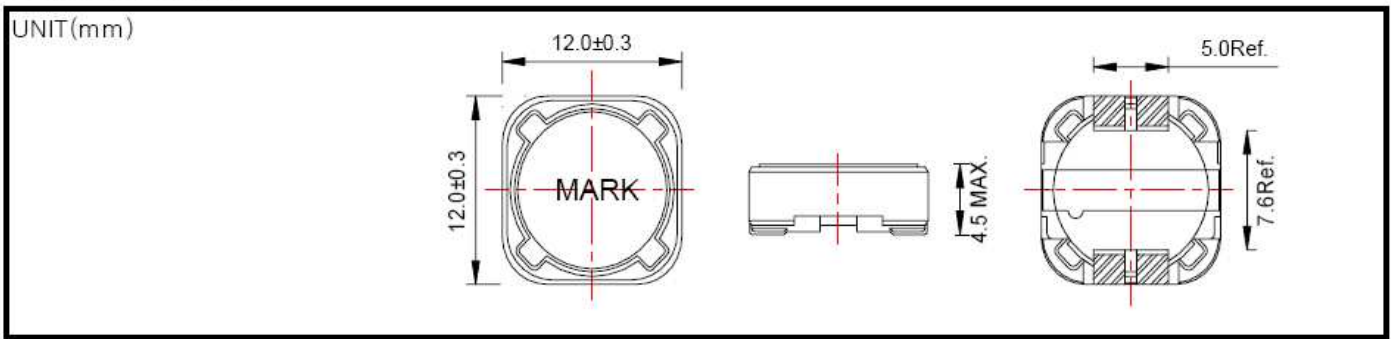
## Land Pattern





# SMD POWER INDUCTOR RD-1245 SERIES

DIMENSION(mm)



## ELECTRICAL CHARACTERISTICS

Part number	Inductance (μH) ±20%	DCR (Ω) MAX.	Rated Current (A) MAX.	Mark (Number Marking)
RD-1245-392	3.9	0.015	6.5	392
RD-1245-472	4.7	0.018	5.7	472
RD-1245-682	6.8	0.023	4.9	682
RD-1245-822	8.2	0.026	4.6	822
RD-1245-103	10	0.028	4.5	103
RD-1245-123	12	0.038	4.0	123
RD-1245-153	15	0.050	3.2	153
RD-1245-183	18	0.057	3.1	183
RD-1245-273	27	0.080	2.8	273
RD-1245-333	33	0.097	2.7	333
RD-1245-393	39	0.130	2.1	393
RD-1245-473	47	0.150	1.9	473
RD-1245-563	56	0.190	1.8	563
RD-1245-683	68	0.220	1.5	683
RD-1245-823	82	0.260	1.3	823
RD-1245-104	100	0.310	1.2	104
RD-1245-124	120	0.380	1.1	124
RD-1245-154	150	0.530	1.0	154
RD-1245-184	180	0.620	0.9	184
RD-1245-224	220	0.700	0.8	224
RD-1245-274	270	0.870	0.6	274
RD-1245-334	330	0.990	0.5	334

## FEATURES

- Magnetically shield to prevent noise radiation and low DC resistance.
- Suitable for large current.
- Ideal for DC/DC converter inductor application in hand help LCD Display, note-book graphic-card etc.
- Available tape and reel for auto insertion.
- Suitable for reflow soldering.
- Custom design available.

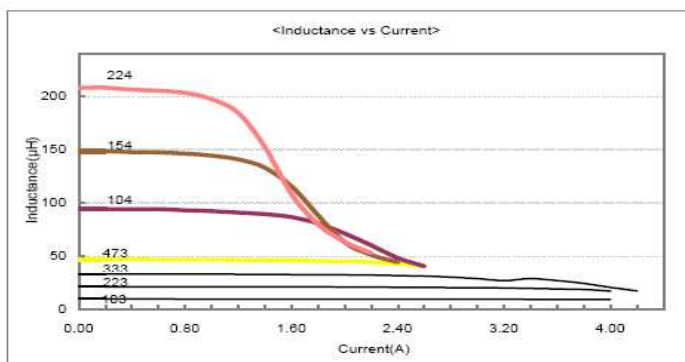
1. Test Condition : 100KHz , 0.1V

2. Electrical specification at 25°C

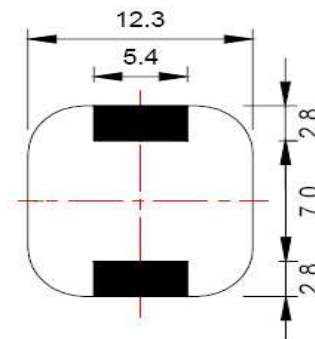
3. Test Instrument : WaneKerr Precision Magnetics Analyzer 3260B.

4. Rated current : ΔT=30°C rise or The inductance becomes 30% lower than its nominal value(Ta=25°C)

## DC BIAS CURVE

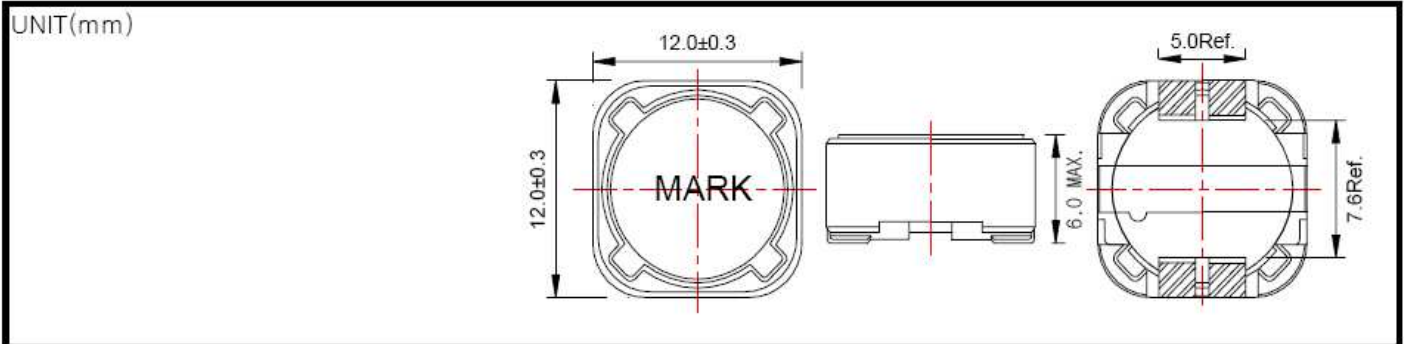


## Land Pattern



# SMD POWER INDUCTOR RD-1260 SERIES

DIMENSION(mm)



## ELECTRICAL CHARACTERISTICS

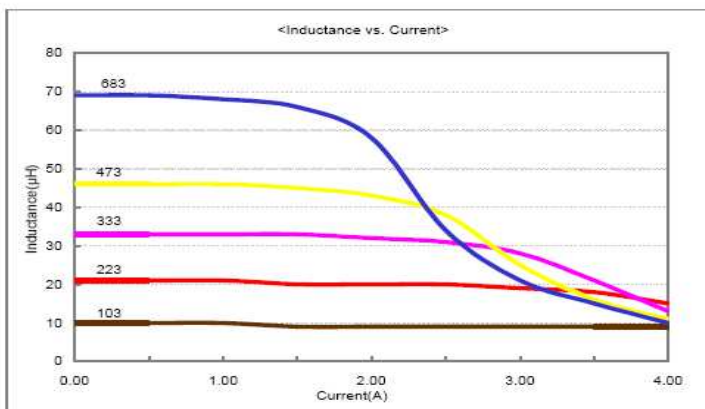
Part number	Inductance (μH) ±20%	DCR (Ω) MAX.	Rated Current (A) MAX.	Mark (Number Marking)
RD-1260-103	10	0.025	4.00	103
RD-1260-123	12	0.021	3.50	123
RD-1260-153	15	0.03	3.30	153
RD-1260-183	18	0.034	3.00	183
RD-1260-223	22	0.036	2.80	223
RD-1260-273	27	0.051	2.30	273
RD-1260-333	33	0.057	2.10	333
RD-1260-393	39	0.068	2.00	393
RD-1260-563	56	0.11	1.70	563
RD-1260-683	68	0.12	1.50	683
RD-1260-823	82	0.14	1.40	823
RD-1260-104	100	0.16	1.30	104
RD-1260-154	150	0.23	1.00	154
RD-1260-224	220	0.4	0.80	224
RD-1260-334	330	0.51	0.68	334
RD-1260-474	470	0.77	0.58	474
RD-1260-564	560	0.86	0.54	564
RD-1260-684	680	1.2	0.480	684
RD-1260-824	820	1.34	0.430	824
RD-1260-105	1000	1.53	0.400	105

## FEATURES

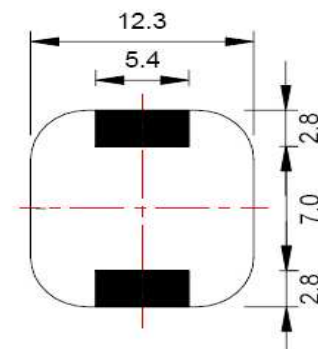
- Magnetically shield to prevent noise radiation and low DC resistance.
- Suitable for large current.
- Ideal for DC/DC converter inductor application in hand help LCD Display, note-book graphic-card etc.
- Available tape and reel for auto insertion.
- Suitable for reflow soldering.
- Custom design available.

1. Test Condition : 100KHz , 0.1V
2. Electrical specification at 25°C
3. Test Instrument : WaneKerr Precision Magnetics Analyzer 3260B.
4. Rated current : ΔT=30°C rise or The inductance becomes 30% lower than its nominal value(Ta=25°C)

## DC BIAS CURVE

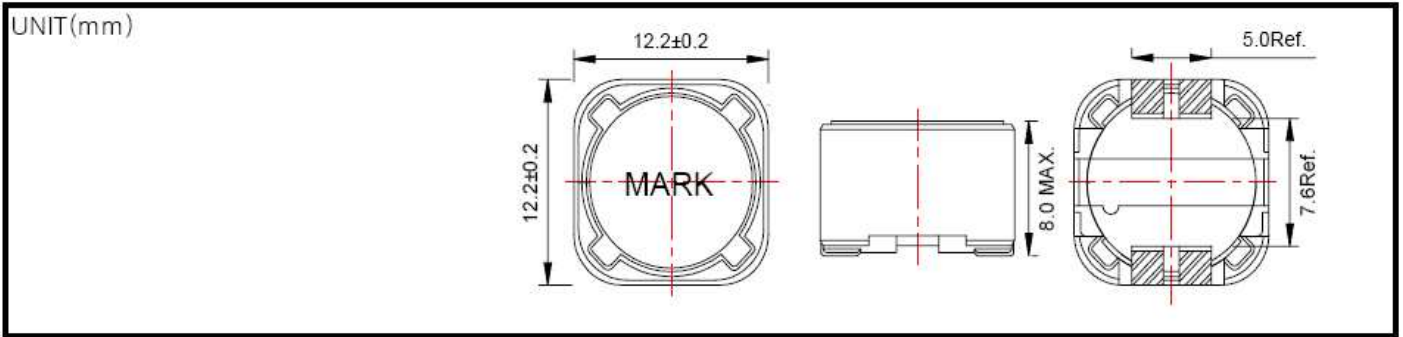


## Land Pattern



# SMD POWER INDUCTOR RD-1280 SERIES

DIMENSION(mm)



## ELECTRICAL CHARACTERISTICS

Part number	Inductance (μH) ±20%	DCR (Ω) MAX.	Rated Current (A) MAX.	Mark (Number Marking)
RD-1280-103	10	0.022	5.40	103
RD-1280-123	12	0.025	4.90	123
RD-1280-153	15	0.027	4.50	153
RD-1280-183	18	0.040	3.90	183
RD-1280-223	22	0.044	3.60	223
RD-1280-273	27	0.046	3.40	273
RD-1280-333	33	0.065	3.00	333
RD-1280-393	39	0.073	2.75	393
RD-1280-473	47	0.10	2.50	473
RD-1280-683	68	0.14	2.10	683
RD-1280-823	82	0.16	1.95	823
RD-1280-104	100	0.22	1.70	104
RD-1280-124	120	0.25	1.60	124
RD-1280-154	150	0.28	1.42	154
RD-1280-184	180	0.35	1.30	184
RD-1280-224	220	0.39	1.16	224
RD-1280-334	330	0.64	0.95	334
RD-1280-474	470	0.98	0.79	474
RD-1280-564	560	1.07	0.73	564
RD-1280-684	680	1.46	0.67	684
RD-1280-824	820	1.64	0.60	824
RD-1280-105	1000	1.82	0.55	105

## FEATURES

- Magnetically shield to prevent noise radiation and low DC resistance.
- Suitable for large current.
- Ideal for DC/DC converter inductor application in hand help LCD Display, note-book graphic-card etc.
- Available tape and reel for auto insertion.
- Suitable for reflow soldering.
- Custom design available.

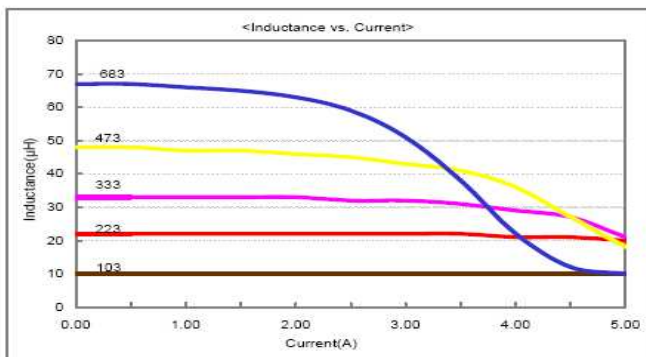
1. Test Condition : 100KHz , 0.1V

2. Electrical specification at 25°C

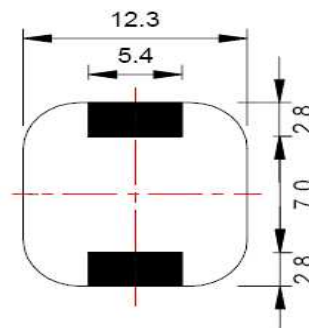
3. Test Instrument : WaneKerr Precision Magnetics Analyzer 3260B.

4. Rated current : ΔT=30°C rise or The inductance becomes 30% lower than its nominal value(Ta=25°C)

## DC BIAS CURVE



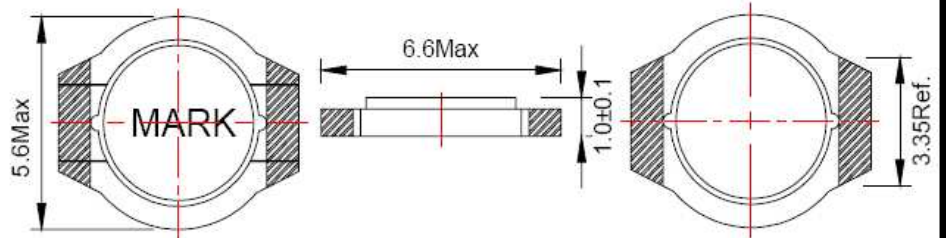
## Land Pattern



# SMD POWER INDUCTOR RD-6611 SERIES

## DIMENSION(mm)

UNIT(mm)



## ELECTRICAL CHARACTERISTICS

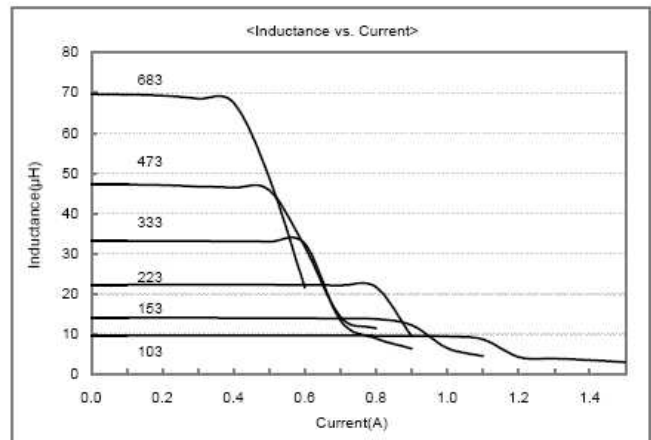
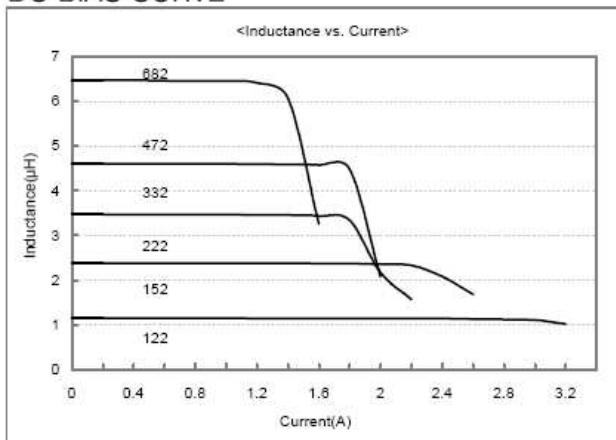
Part number	Inductance (μH) ±20%	DCR (Ω) MAX.	Rated Current	MARK (Number)
LI6611-122	1.2	0.08	2.80	122
LI6611-152	1.5	0.10	2.60	152
LI6611-222	2.2	0.12	2.00	222
LI6611-332	3.3	0.16	1.70	332
LI6611-472	4.7	0.20	1.50	472
LI6611-682	6.8	0.32	1.20	682
LI6611-103	10	0.40	1.00	103
LI6611-153	15	0.70	0.90	153
LI6611-223	22	0.85	0.80	223
LI6611-333	33	1.45	0.60	333
LI6611-473	47	1.80	0.50	473
LI6611-683	68	2.50	0.40	683
LI6611-104	100	3.50	0.25	104
LI6611-154	150	5.00	0.18	154
LI6611-224	220	7.00	0.16	224
LI6611-334	330	15.00	0.13	334

## FEATURES

- Low profile (Height 1.1mm Max.)
- Ideal for DC/DC converter applications.
- Available tape and reel for auto insertion.
- Suitable for reflow soldering.
- Custom design available.
- Specially designed for smallest and lowest height products : PDA, notebook, mobile phone, MP3 player, LCD monitors,

1. Test Condition : 100KHz , 0.1V
2. Electrical specification at 25°C
3. Test Instrument : WaneKerr Precision Magnetics Analyzer 3260B.
4. Rated current : ΔT=30°C rise or The inductance becomes 10% lower than its nominal value(Ta=25°C)

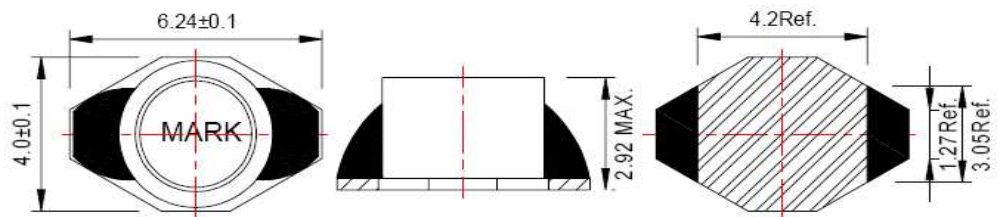
## DC BIAS CURVE



# SMD POWER INDUCTOR RD-4020 SERIES

## DIMENSION

UNIT(mm)



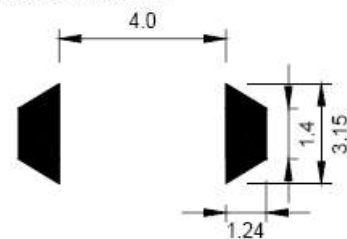
## ELECTRICAL CHARACTERISTICS

PART NUMBER	INDUCTANCE ( $\mu\text{H} \pm 20\%$ )	DC.R ( $\Omega$ max)	RATED CURRENT (A max)	INSULATION WINDING-CORE (M $\Omega$ )
RD-4020-102	1.0	0.04	1.40	>10
RD-4020-152	1.5	0.045	0.93	>10
RD-4020-222	2.2	0.05	0.92	>10
RD-4020-332	3.3	0.055	0.75	>10
RD-4020-472	4.7	0.06	0.58	>10
RD-4020-682	6.8	0.065	0.58	>10
RD-4020-103	10	0.075	0.37	>10
RD-4020-153	15	0.09	0.31	>10
RD-4020-223	22	0.11	0.30	>10
RD-4020-333	33	0.19	0.30	>10
RD-4020-473	47	0.23	0.24	>10
RD-4020-683	68	0.29	0.17	>10
RD-4020-104	100	0.48	0.13	>10
RD-4020-154	150	0.59	0.10	>10
RD-4020-224	220	0.77	0.10	>10
RD-4020-334	330	1.4	0.07	>10
RD-4020-474	470	1.8	0.06	>10
RD-4020-684	680	2.2	0.055	>10
RD-4020-105	1000	3.4	0.045	>10
RD-4020-155	1500	4.2	0.035	>10
RD-4020-225	2200	8.5	0.028	>10
RD-4020-335	3300	11	0.024	>10
RD-4020-475	4700	13.9	0.021	>10
RD-4020-685	6800	25	0.019	>10
RD-4020-106	10000	32.8	0.017	>10

## FEATURE

- Low profile (Height 2.92mm Max.)
- Ideal for DC/DC converter applications.
- Available tape and reel for auto insertion.
- Suitable for reflow soldering.
- Custom design available.
- Specially designed for smallest and lowest height products : PDA, notebook, mobile phone, MP3 player, LCD monitors,

## Land Pattern



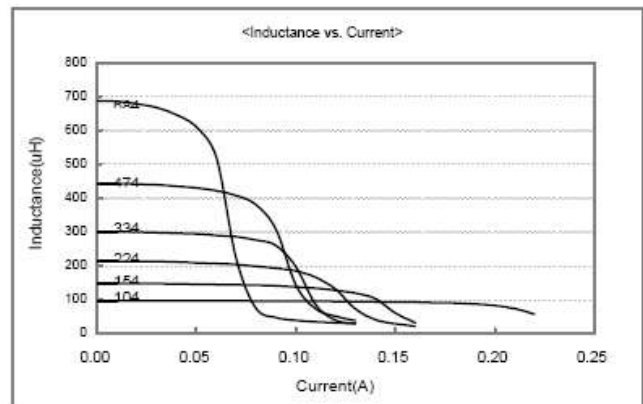
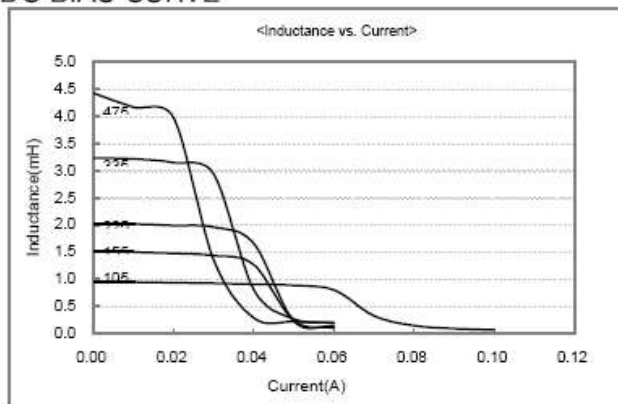
1. Test Condition : 100KHz , 0.1V

2 Electrical specification at 25°C

3. Test Instrument : WaneKerr Precision Magnetics Analyzer 3260B.

4. Rated current :  $\Delta T = 30^\circ\text{C}$  rise or The inductance becomes 30% lower than its nominal value ( $T_a = 25^\circ\text{C}$ )

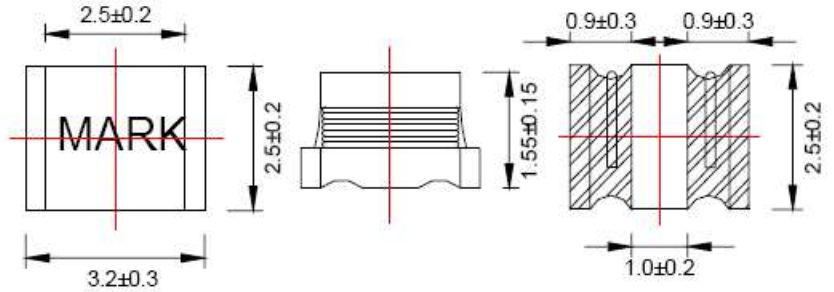
## DC BIAS CURVE



# SMD POWER INDUCTOR RD-3215SQ SERIES

## DIMENSION

UNIT(mm)



## ELECTRICAL CHARACTERISTICS

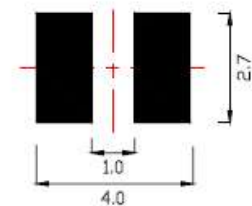
PART NUMBER	INDUCTANCE ( $\mu\text{H} \pm 20\%$ )	DC.R(TYP) $\Omega$ MAX	RATED CURRENT (A max)	TEST FREQ(Hz)
RD-3215SQ-102	1.0	0.078	1.00	1M
RD-3215SQ-222	2.2	0.126	0.79	1M
RD-3215SQ-332	3.3	0.16	0.60	1M
RD-3215SQ-472	4.7	0.195	0.65	1M
RD-3215SQ-103	10	0.39	0.45	1M
RD-3215SQ-153	15	0.754	0.30	1M
RD-3215SQ-223	22	0.923	0.25	1M
RD-3215SQ-333	33	1.43	0.20	1M
RD-3215SQ-473	47	1.69	0.17	1M
RD-3215SQ-683	68	2.86	0.13	1M
RD-3215SQ-104	100	4.55	0.10	1K
RD-3215SQ-224	220	6.5	0.06	1K

## FEATURES

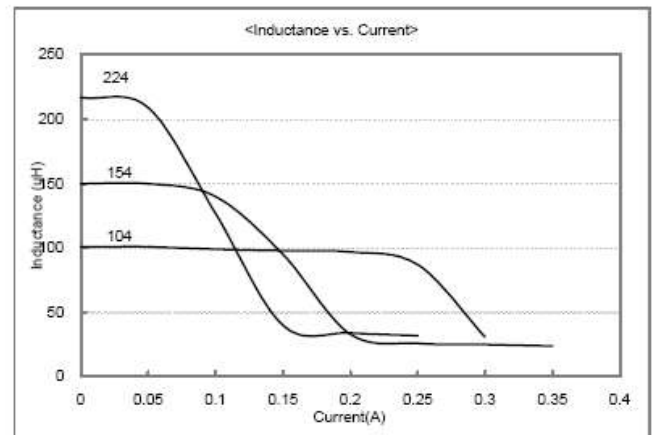
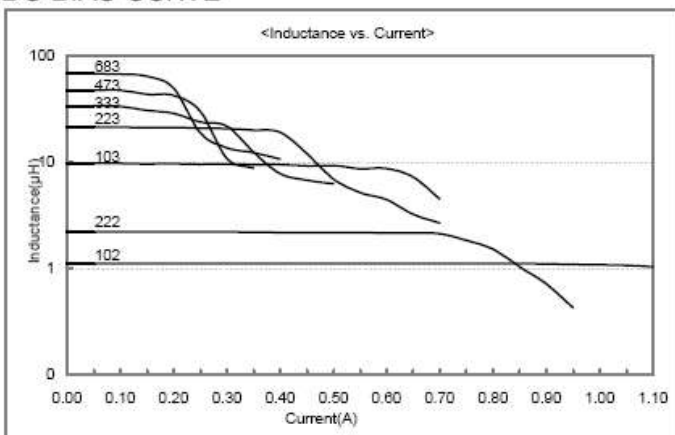
- Low profile (Height 1.7mm MAX.)
- Ideal for DC/DC converter applications.
- Available tape and reel for auto insertion.
- Suitable for reflow soldering.
- Custom design available.
- Specially designed for smallest and lowest height products : PDA, notebook, mobile phone, MP3 player, LCD monitors,

1. Test Condition : 1 MHz or 1 kHz ,0.1V
2. Electrical specification at 25°C
3. Test Instrument : WaneKerr Precision Magnetics Analyzer 3260B.
4. Rated current :  $\Delta T=30^\circ\text{C}$  rise or The inductance becomes 10% lower than its nominal value( $T_a=25^\circ\text{C}$ )

## Land Pattern



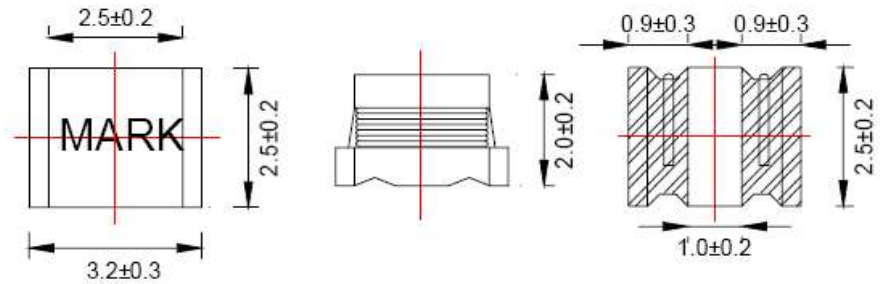
## DC BIAS CURVE



# SMD POWER INDUCTOR RD-3220SQ SERIES

## DIMENSION

UNIT(mm)



## ELECTRICAL CHARACTERISTICS

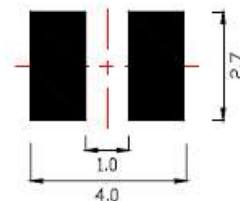
PART NUMBER	INDUCTANCE ( $\mu\text{H} \pm 20\%$ )	DC.R(TYP) $\Omega$ MAX	RATED CURRENT (A max)	TEST FREQ(Hz)
RD-3220SQ-102	1.0	0.080	1.00	1M
RD-3220SQ-222	2.2	0.126	0.79	1M
RD-3220SQ-332	3.3	0.140	0.70	1M
RD-3220SQ-472	4.7	0.195	0.65	1M
RD-3220SQ-103	10	0.390	0.45	1M
RD-3220SQ-153	15	0.500	0.35	1M
RD-3220SQ-223	22	0.923	0.25	1M
RD-3220SQ-333	33	1.000	0.20	1M
RD-3220SQ-473	47	1.690	0.17	1M
RD-3220SQ-683	68	2.000	0.15	1M
RD-3220SQ-104	100	4.550	0.10	1M
RD-3220SQ-224	220	10.920	0.07	1M
RD-3220SQ-334	330	13.000	0.06	1K
RD-3220SQ-474	470	24.700	0.06	1K
RD-3220SQ-564	560	28.600	0.06	1K

## FEATURES

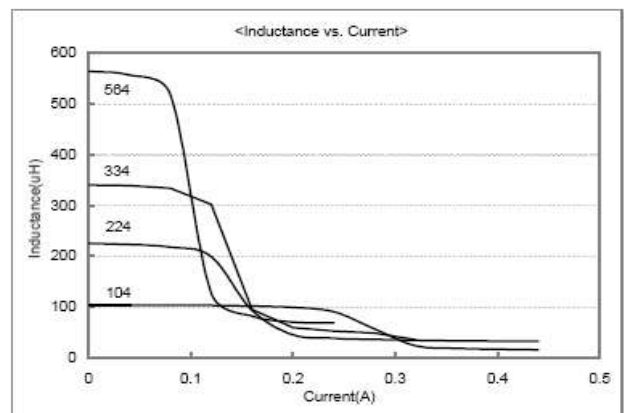
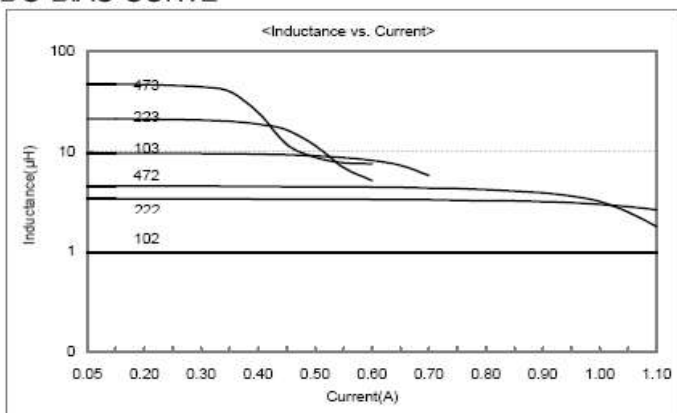
- Low profile (Height 2.2mm Max.)
- Ideal for DC/DC converter applications.
- Available tape and reel for auto insertion.
- Suitable for reflow soldering.
- Custom design available.
- Specially designed for smallest and lowest height products : PDA, notebook, mobile phone, MP3 player, LCD monitors,

1. Test Condition : 1 MHz or 1 kHz , 0.1V
2. Electrical specification at 25°C
3. Test Instrument : WaneKerr Precision Magnetics Analyzer 3280B.
4. Rated current :  $\Delta T=30^\circ\text{C}$  rise or The inductance becomes 10% lower than its nominal value( $T_a=25^\circ\text{C}$ )

## Land Pattern



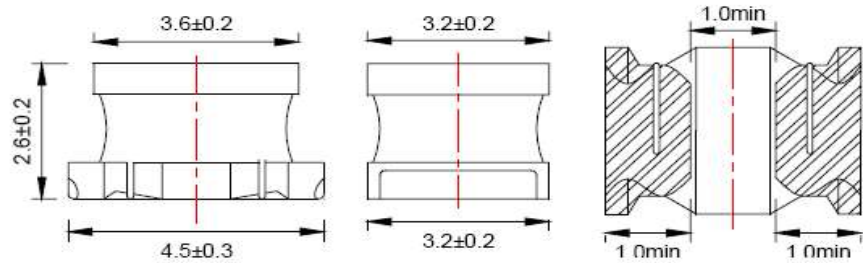
## DC BIAS CURVE



# SMD POWER INDUCTOR RD-4526SQ SERIES

## DIMENSION

UNIT(mm)



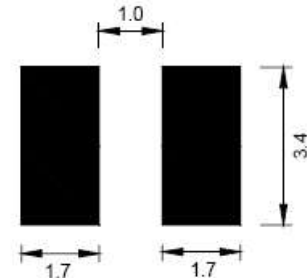
## ELECTRICAL CHARACTERISTICS

PART NUMBER	INDUCTANCE ( $\mu\text{H} \pm 20\%$ )	DC.R(TYP) $\Omega$ MAX	RATED CURRENT (mA max)	TEST FREQ(Hz)
RD-4526SQ-102	1	0.08	1080	1M
RD-4526SQ-152	1.5	0.09	1000	1M
RD-4526SQ-222	2.2	0.11	900	1M
RD-4526SQ-332	3.3	0.13	800	1M
RD-4526SQ-472	4.7	0.15	750	1M
RD-4526SQ-682	6.8	0.20	720	1M
RD-4526SQ-103	10	0.24	650	1M
RD-4526SQ-153	15	0.32	570	1M
RD-4526SQ-223	22	0.60	420	1M
RD-4526SQ-333	33	1.00	310	1M
RD-4526SQ-473	47	1.10	280	1M
RD-4526SQ-683	68	1.70	220	1M
RD-4526SQ-104	100	2.20	190	1M
RD-4526SQ-154	150	3.50	130	1M
RD-4526SQ-224	220	4.00	110	1M
RD-4526SQ-334	330	6.80	100	1M
RD-4526SQ-474	470	8.50	90	1K
RD-4526SQ-684	680	17.00	65	1K
RD-4526SQ-824	820	20.50	60	1K
RD-4526SQ-105	1000	25.00	50	1K
RD-4526SQ-155	1500	37.00	40	1K
RD-4526SQ-225	2200	50.00	30	1K

## FEATURES

- Low profile (Height 2.8mm MAX.)
- Ideal for DC/DC converter applications.
- Available tape and reel for auto insertion.
- Suitable for reflow soldering.
- Custom design available.
- Specially designed for smallest and lowest height products : PDA, notebook, mobile phone, MP3 player, LCD monitors,

## Land Pattern



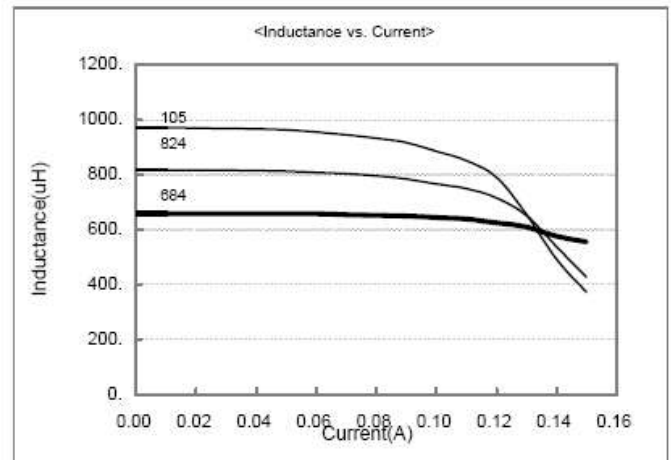
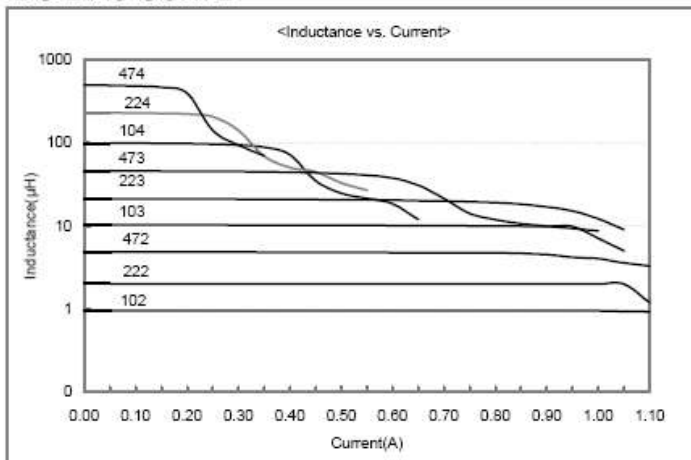
1. Test Condition : 1 MHz or 1 kHz ,0.1V

2 Electrical specification at 25°C

3. Test Instrument : WaneKerr Precision Magnetics Analyzer 3260B.

4. Rated current :  $\Delta T=30^\circ\text{C}$  rise or The inductance becomes 10% lower than its nominal value( $T_a=25^\circ\text{C}$ )

## DC BIAS CURVE

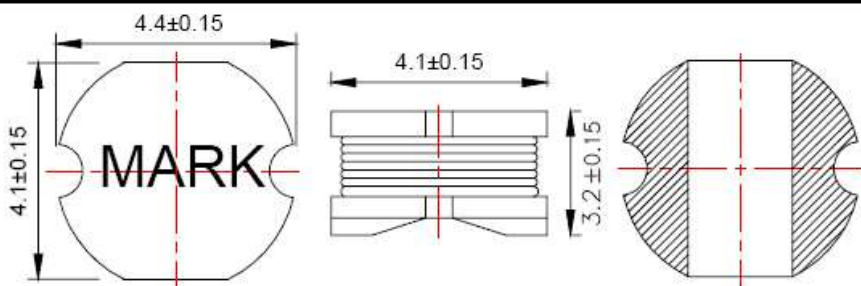




# SMD POWER INDUCTOR RD-4532D SERIES

## DIMENSION

UNIT(mm)



## ELECTRICAL CHARACTERISTICS

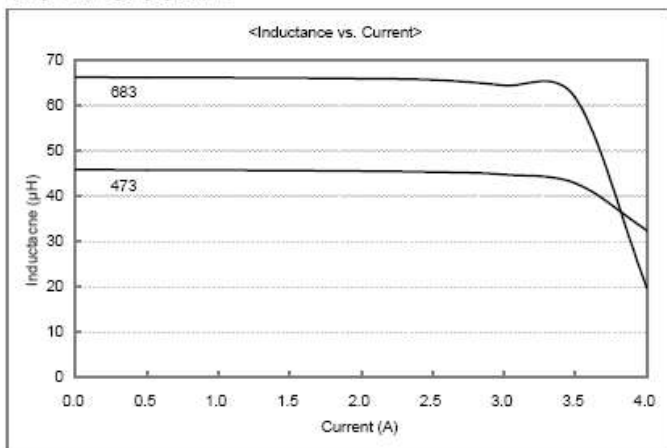
PART NUMBER	INDUCTANCE ( $\mu\text{H} \pm 20\%$ )	DC.R ( $\Omega$ MAX)	RATED CURRENT (A max)
RD-4532D-102	1	0.033	4.00
RD-4532D-222	2.2	0.047	2.60
RD-4532D-332	3.3	0.058	2.15
RD-4532D-472	4.7	0.094	1.70
RD-4532D-103	10	0.182	1.15
RD-4532D-153	15	0.24	0.92
RD-4532D-223	22	0.378	0.76
RD-4532D-333	33	0.54	0.64
RD-4532D-473	47	0.844	0.54
RD-4532D-683	68	1.117	0.46

## FEATURES

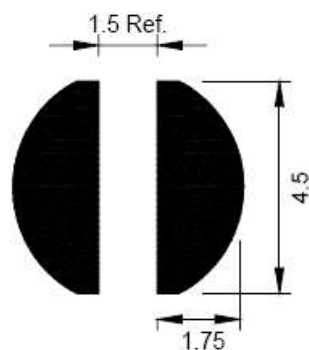
- Height 3.35mm MAX.
- Ideal for DC/DC converter applications.
- Available tape and reel for auto insertion.
- Suitable for reflow soldering.
- Custom design available.

1. Test Condition : 2.52 MHz or 1 kHz , 0.1V
2. Electrical specification at 25°C
3. Test Instrument : WaneKerr Precision Magnetics Analyzer 3260B.
4. Rated current :  $\Delta T=30^\circ\text{C}$  rise or The inductance becomes 10% lower than its nominal value( $T_a=25^\circ\text{C}$ )

## DC BIAS CURVE



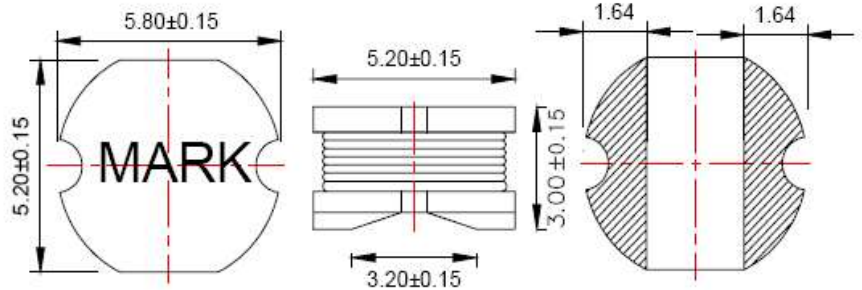
## LAND PATTERN



# SMD POWER INDUCTOR RD-5830D SERIES

## DIMENSION

UNIT(mm)



## ELECTRICAL CHARACTERISTICS

PART NUMBER	INDUCTANCE ( $\mu\text{H} \pm 20\%$ )	DC.R ( $\Omega$ MAX)	RATED CURRENT (A max)
RD-5830D-102	1	0.01	4.0
RD-5830D-222	2.2	0.02	4.0
RD-5830D-332	3.3	0.035	4.0
RD-5830D-472	4.7	0.04	4.0
RD-5830D-103	10	0.09	2.60
RD-5830D-153	15	0.16	2.00
RD-5830D-223	22	0.2	1.70
RD-5830D-333	33	0.31	1.50
RD-5830D-473	47	0.4	1.20
RD-5830D-683	68	0.6	1.00
RD-5830D-104	100	1.0	0.80
RD-5830D-154	150	1.9	0.70
RD-5830D-224	220	2.5	0.60
RD-5830D-334	330	3.2	0.50
RD-5830D-474	470	4.5	0.40
RD-5830D-684	680	8	0.30

## FEATURES

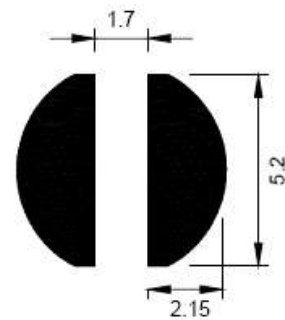
- Height 3.15mm MAX.
- Ideal for DC/DC converter applications.
- Available tape and reel for auto insertion.
- Suitable for reflow soldering.
- Custom design available.

1. Test Condition : 2.52 MHz or 1 kHz , 0.1V

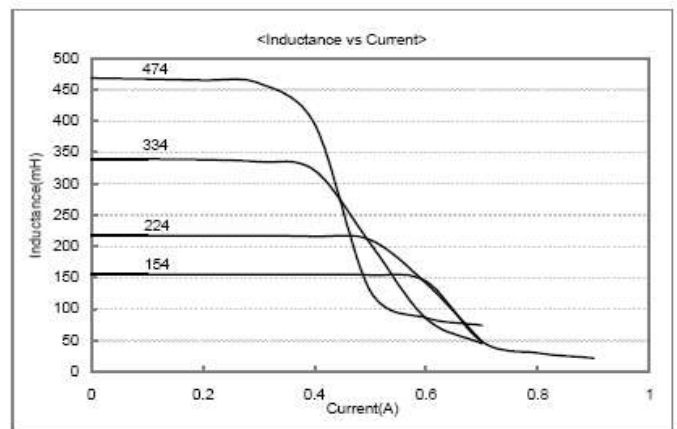
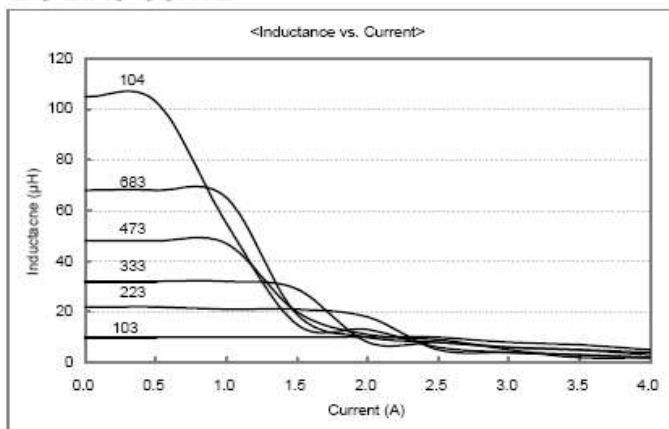
2 Electrical specification at 25°C

3. Test Instrument : WaneKerr Precision Magnetics Analyzer 3260B.

4. Rated current :  $\Delta T = 30^\circ\text{C}$  rise or The inductance becomes 10% lower than its nominal value( $T_a = 25^\circ\text{C}$ )



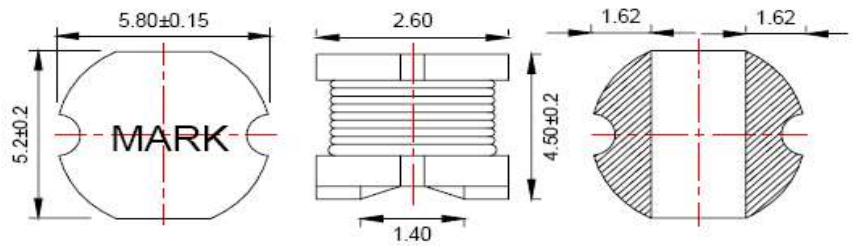
## DC BIAS CURVE



# SMD POWER INDUCTOR RD-5845D SERIES

## DIMENSION

UNIT(mm)



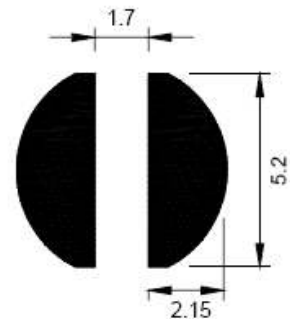
## ELECTRICAL CHARACTERISTICS

PART NUMBER	INDUCTANCE ( $\mu\text{H} \pm 20\%$ )	DC.R ( $\Omega$ max)	RATED CURRENT (A max)	TEST FREQ
RD-5845D-102	1.0	0.015	5.90	2.52 MHz
RD-5845D-222	2.2	0.035	3.80	2.52 MHz
RD-5845D-332	3.3	0.045	3.30	2.52 MHz
RD-5845D-472	4.7	0.05	2.50	2.52 MHz
RD-5845D-682	6.8	0.08	2.10	2.52 MHz
RD-5845D-103	10	0.10	1.44	2.52 MHz
RD-5845D-153	15	0.14	1.30	2.52 MHz
RD-5845D-183	18	0.15	1.23	2.52 MHz
RD-5845D-223	22	0.18	1.12	2.52 MHz
RD-5845D-273	27	0.20	0.96	2.52 MHz
RD-5845D-333	33	0.23	0.88	2.52 MHz
RD-5845D-393	39	0.32	0.80	2.52 MHz
RD-5845D-473	47	0.37	0.72	2.52 MHz
RD-5845D-563	56	0.42	0.68	2.52 MHz
RD-5845D-683	68	0.46	0.60	2.52 MHz
RD-5845D-823	82	0.60	0.58	2.52 MHz
RD-5845D-104	100	0.70	0.52	1.00 KHz
RD-5845D-124	120	0.94	0.48	1.00 KHz
RD-5845D-154	150	1.10	0.40	1.00 KHz
RD-5845D-183	180	1.38	0.38	1.00 KHz
RD-5845D-224	220	1.57	0.35	1.00 KHz
RD-5845D-334	330	1.80	0.30	1.00 KHz
RD-5845D-175	1.76mH $\pm 3\%$	9.00	0.17	1.00 KHz

## FEATURES

- Height 4.7mm MAX.
- Ideal for DC/DC converter applications.
- Available tape and reel for auto insertion.
- Suitable for reflow soldering.
- Custom design available.
- Low cost design

## LAND PATTERN



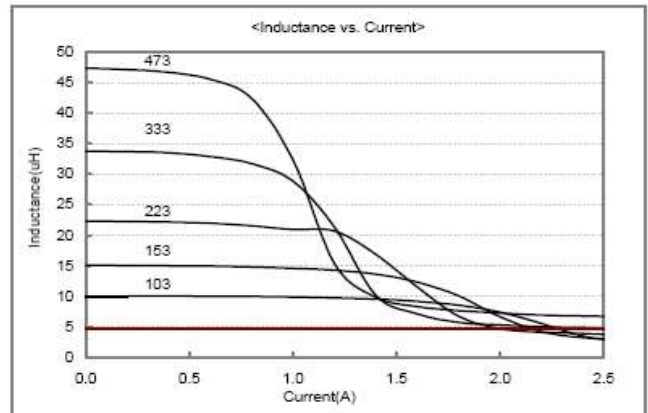
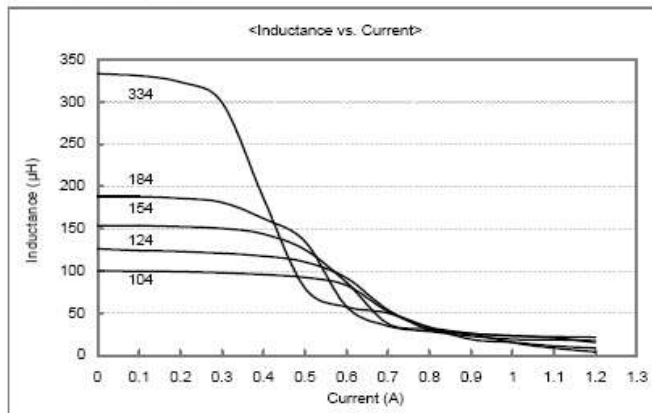
1. Test Condition : 2.52 MHz or 1 kHz ,0.1V

2. Electrical specification at 25°C

3. Test Instrument : WaneKerr Precision Magnetics Analyzer 3260B.

4. Rated current :  $\Delta T=30^\circ\text{C}$  rise or The inductance becomes 10% lower than its nominal value( $T_a=25^\circ\text{C}$ )

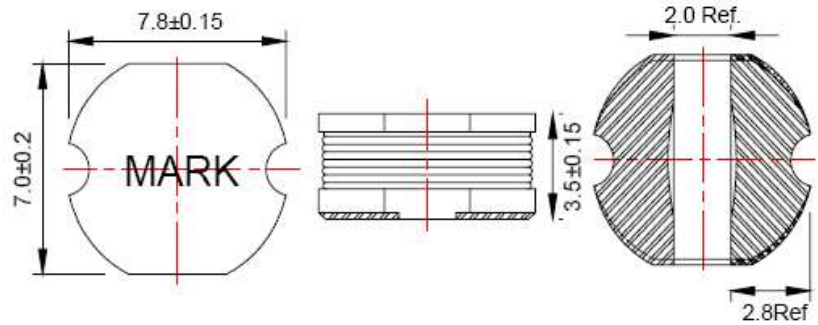
## DC BIAS CURVE



# SMD POWER INDUCTOR RD-7835D SERIES

## DIMENSION

UNIT(mm)



## ELECTRICAL CHARACTERISTICS

PART NUMBER	INDUCTANCE ( $\mu\text{H} \pm 20\%$ )	DC.R ( $\Omega$ max)	RATED CURRENT (A max)	TEST FREQ.
LI7835D-103	10	0.08	1.44	2.52 MHz
LI7835D-123	12	0.09	1.39	2.52 MHz
LI7835D-153	15	0.10	1.24	2.52 MHz
LI7835D-183	18	0.11	1.12	2.52 MHz
LI7835D-223	22	0.13	1.07	2.52 MHz
LI7835D-273	27	0.15	0.94	2.52 MHz
LI7835D-333	33	0.17	0.85	2.52 MHz
LI7835D-393	39	0.21	0.74	2.52 MHz
LI7835D-473	47	0.25	0.68	2.52 MHz
LI7835D-563	56	0.28	0.64	2.52 MHz
LI7835D-683	68	0.33	0.59	2.52 MHz
LI7835D-823	82	0.40	0.54	2.52 MHz
LI7835D-104	100	0.48	0.51	1.00 KHz
LI7835D-124	120	0.53	0.49	1.00 KHz
LI7835D-154	150	0.75	0.40	1.00 KHz
LI7835D-184	180	1.02	0.36	1.00 KHz
LI7835D-224	220	1.20	0.31	1.00 KHz
LI7835D-274	270	1.30	0.29	1.00 KHz
LI7835D-334	330	1.49	0.28	1.00 KHz

## FEATURES

- Height 3.65mm MAX.
- Ideal for DC/DC converter applications.
- Available tape and reel for auto insertion.
- Suitable for reflow soldering.
- Custom design available.
- Low cost design

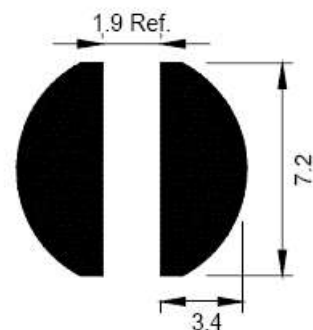
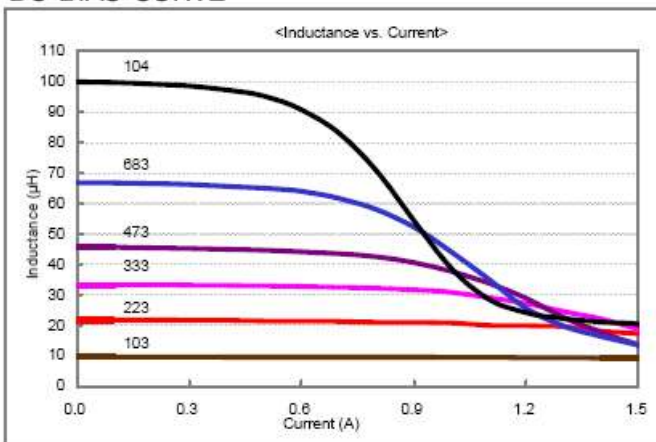
1. Test Condition : 2.52 MHz or 1 kHz ,0.1V

2 Electrical specification at 25°C

3. Test Instrument : WaneKerr Precision Magnetics Analyzer 3260B.

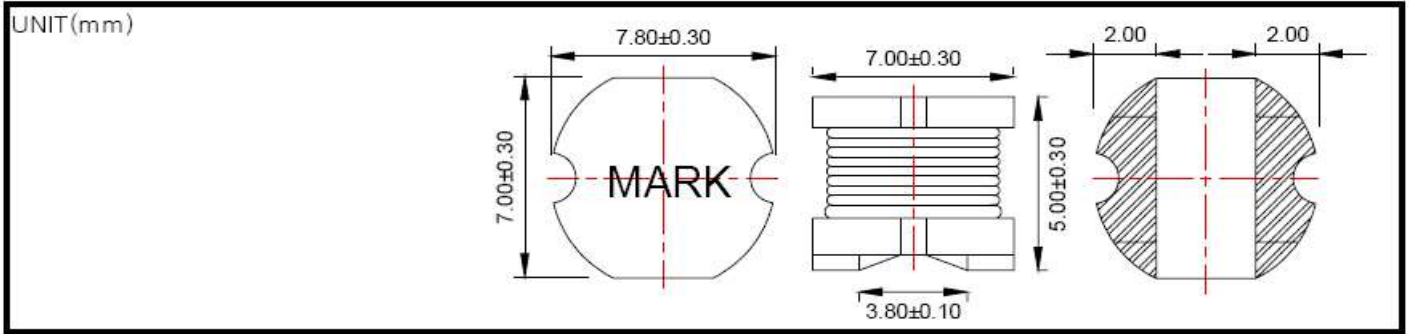
4. Rated current :  $\Delta T=30^\circ\text{C}$  rise or The inductance becomes 10% lower than its nominal value( $T_a=25^\circ\text{C}$ )

## DC BIAS CURVE



# SMD POWER INDUCTOR RD-7850D SERIES

## DIMENSION



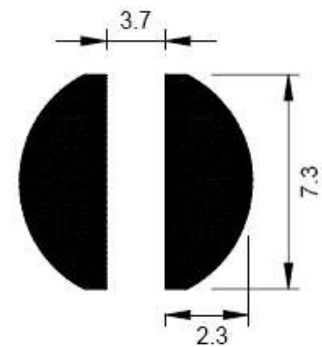
## ELECTRICAL CHARACTERISTICS

PART NUMBER	INDUCTANCE ( $\mu\text{H} \pm 20\%$ )	DC.R ( $\Omega$ max)	RATED CURRENT (A max)	TEST FREQ
RD-7850D-103	10	0.07	2.30	2.52 MHz
RD-7850D-123	12	0.08	2.00	2.52 MHz
RD-7850D-153	15	0.09	1.80	2.52 MHz
RD-7850D-183	18	0.10	1.60	2.52 MHz
RD-7850D-223	22	0.11	1.50	2.52 MHz
RD-7850D-273	27	0.12	1.30	2.52 MHz
RD-7850D-333	33	0.13	1.20	2.52 MHz
RD-7850D-393	39	0.16	1.10	2.52 MHz
RD-7850D-473	47	0.18	1.05	2.52 MHz
RD-7850D-563	56	0.24	0.94	2.52 MHz
RD-7850D-683	68	0.28	0.85	2.52 MHz
RD-7850D-823	82	0.37	0.78	2.52 MHz
RD-7850D-104	100	0.43	0.72	1.00 KHz
RD-7850D-124	120	0.47	0.66	1.00 KHz
RD-7850D-154	150	0.64	0.58	1.00 KHz
RD-7850D-184	180	0.72	0.51	1.00 KHz
RD-7850D-224	220	0.96	0.49	1.00 KHz
RD-7850D-334	330	1.26	0.40	1.00 KHz
RD-7850D-121	470	1.96	0.34	1.00 KHz

## FEATURES

- Height 5.3mm MAX.
- Ideal for DC/DC converter applications.
- Available tape and reel for auto insertion.
- Suitable for reflow soldering.
- Custom design available.
- Low cost design

## Land Pattern



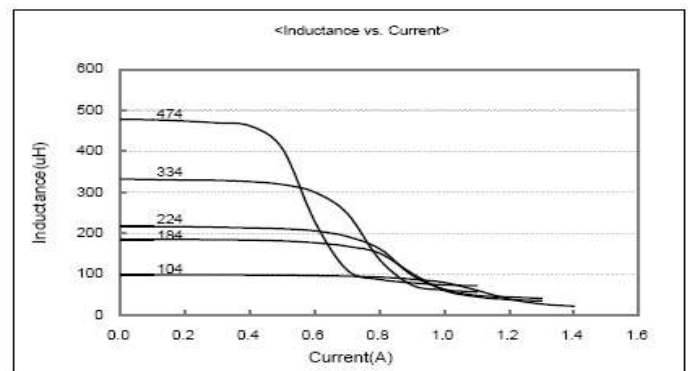
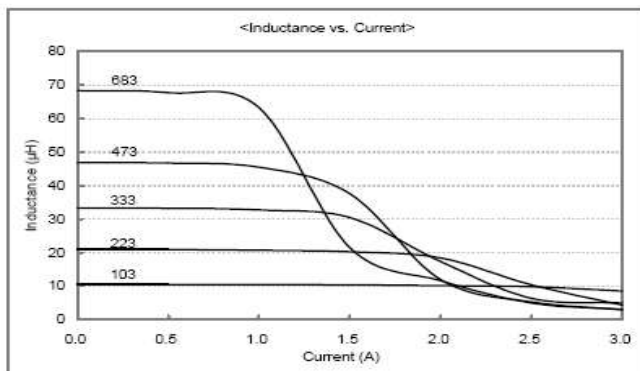
1. Test Condition : 2.52 MHz or 1 kHz , 0.1V

2 Electrical specification at 25°C

3. Test Instrument : WaneKerr Precision Magnetics Analyzer 3260B.

4. Rated current :  $\Delta T=30^\circ\text{C}$  rise or The inductance becomes 10% lower than its nominal value( $T_a=25^\circ\text{C}$ )

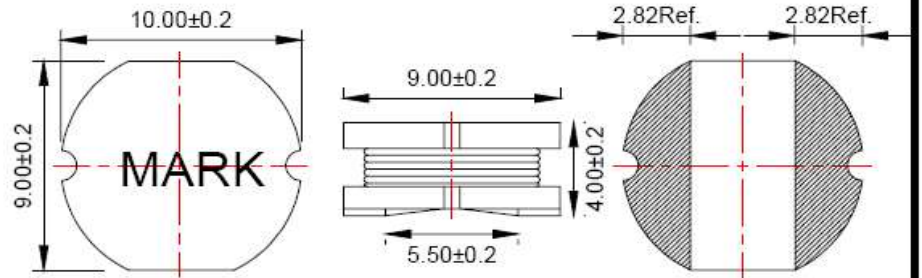
## DC BIAS CURVE



# SMD POWER INDUCTOR RD-1040D SERIES

## DIMENSION

UNIT(mm)



## ELECTRICAL CHARACTERISTICS

## FEATURES

PART NUMBER	INDUCTANCE ( $\mu\text{H} \pm 20\%$ )	DC.R ( $\Omega$ MAX)	RATED CURRENT (A max)	TEST FREQ.
LI1040D-103	10	0.053	2.38	2.52 MHz
LI1040D-123	12	0.061	2.13	2.52 MHz
LI1040D-153	15	0.07	1.87	2.52 MHz
LI1040D-183	18	0.081	1.73	2.52 MHz
LI1040D-223	22	0.088	1.60	2.52 MHz
LI1040D-333	33	0.12	1.26	2.52 MHz
LI1040D-473	47	0.17	1.10	2.52 MHz
LI1040D-563	56	0.2	1.01	2.52 MHz
LI1040D-683	68	0.22	0.91	2.52 MHz
LI1040D-823	82	0.26	0.85	2.52 MHz
LI1040D-104	100	0.35	0.74	1KHz
LI1040D-124	120	0.4	0.69	1KHz
LI1040D-154	150	0.54	0.61	1KHz
LI1040D-184	180	0.62	0.56	1KHz
LI1040D-224	220	0.72	0.53	1KHz
LI1040D-274	270	0.95	0.45	1KHz
LI1040D-334	330	1.1	0.42	1KHz
LI1040D-474	470	1.53	0.35	1KHz
LI1040D-564	560	1.9	0.32	1KHz

- Height 4.2mm MAX.
- Ideal for DC/DC converter applications.
- Available tape and reel for auto insertion.
- Suitable for reflow soldering.
- Custom design available.
- Low cost design

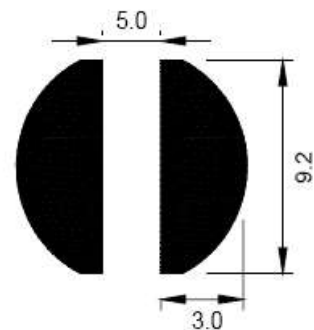
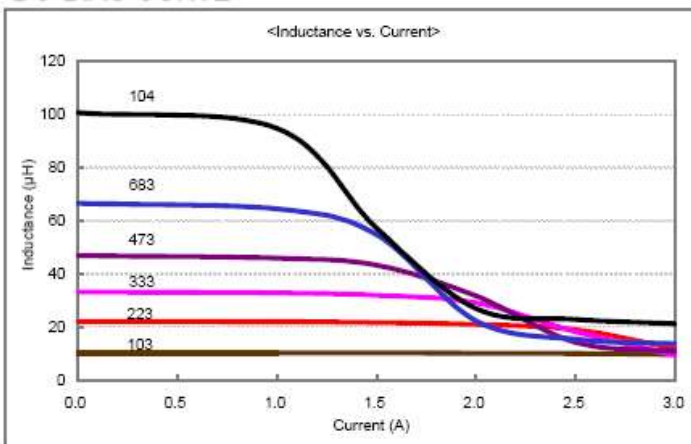
1. Test Condition : 2.52 MHz or 1 kHz ,0.1V

2 Electrical specification at 25°C

3. Test Instrument : WaneKerr Precision Magnetics Analyzer 3260B.

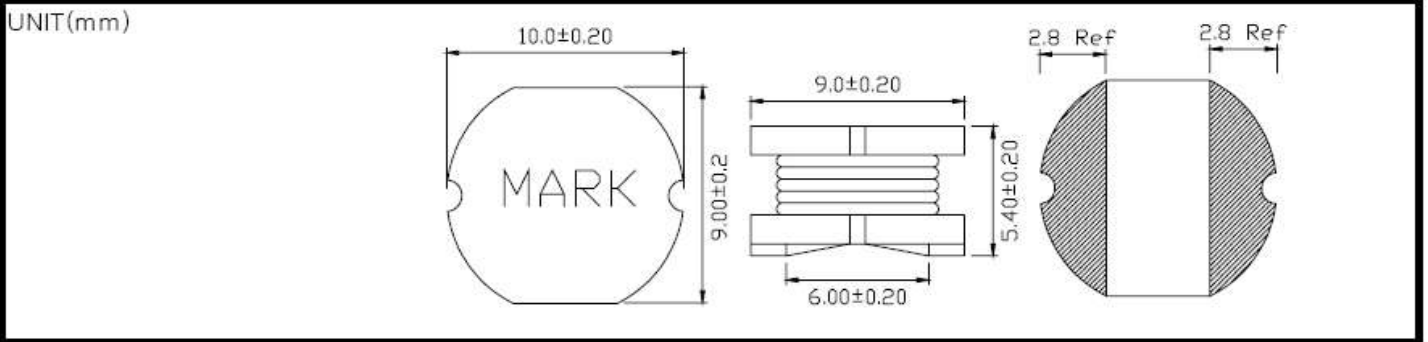
4. Rated current :  $\Delta T=30^\circ\text{C}$  rise or The inductance becomes 10% lower than its nominal value( $T_a=25^\circ\text{C}$ )

## DC BIAS CURVE



# SMD POWER INDUCTOR RD-1054D SERIES

## DIMENSION



## ELECTRICAL CHARACTERISTICS

PART NUMBER	INDUCTANCE ( $\mu\text{H} \pm 20\%$ )	DC.R ( $\Omega$ MAX)	RATED CURRENT (A max)	TEST FREQ.
RD-1054D-103	10	0.053	2.38	2.52 MHz
RD-1054D-104	12	0.061	2.13	2.52 MHz
RD-1054D-105	15	0.07	1.87	2.52 MHz
RD-1054D-106	18	0.081	1.73	2.52 MHz
RD-1054D-107	22	0.088	1.60	2.52 MHz
RD-1054D-108	33	0.12	1.26	2.52 MHz
RD-1054D-109	47	0.17	1.10	2.52 MHz
RD-1054D-110	56	0.2	1.01	2.52 MHz
RD-1054D-111	68	0.22	0.91	2.52 MHz
RD-1054D-112	82	0.26	0.85	2.52 MHz
RD-1054D-113	100	0.35	0.74	1KHz
RD-1054D-114	120	0.4	0.69	1KHz
RD-1054D-115	150	0.54	0.61	1KHz
RD-1054D-116	180	0.62	0.56	1KHz
RD-1054D-117	220	0.72	0.53	1KHz
RD-1054D-118	270	0.95	0.45	1KHz
RD-1054D-119	330	1.1	0.42	1KHz
RD-1054D-120	470	1.53	0.35	1KHz
RD-1054D-121	560	1.9	0.32	1KHz

## FEATURES

- Height 5.7mm MAX.
- Ideal for DC/DC converter applications.
- Available tape and reel for auto insertion.
- Suitable for reflow soldering.
- Custom design available.
- Low cost design

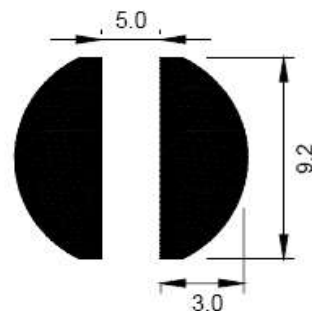
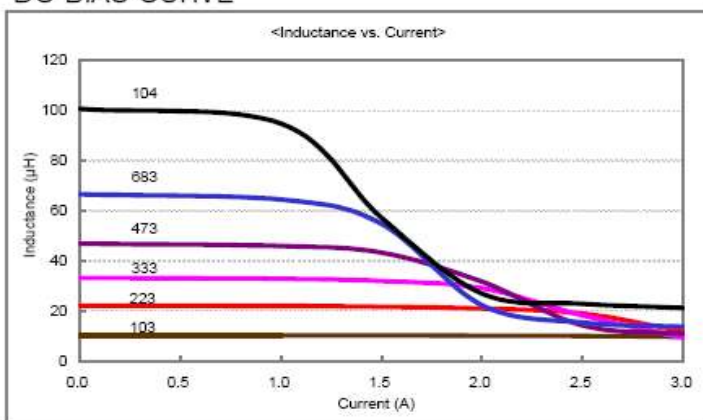
1. Test Condition : 2.52 MHz or 1 kHz , 0.1V

2 Electrical specification at 25°C

3. Test Instrument : WaneKerr Precision Magnetics Analyzer 3260B.

4. Rated current :  $\Delta T = 30^\circ\text{C}$  rise or The inductance becomes 10% lower than its nominal value ( $T_a = 25^\circ\text{C}$ )

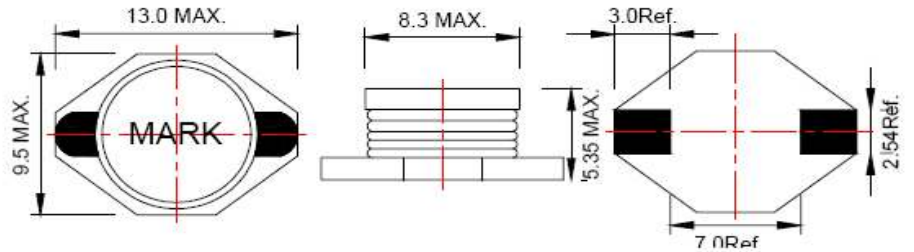
## DC BIAS CURVE



# SMD POWER INDUCTOR RD-8040D SERIES

## DIMENSION

UNIT(mm)



## ELECTRICAL CHARACTERISTICS

PART NUMBER	INDUCTANCE ( $\mu\text{H} \pm 20\%$ )	DC.R ( $\Omega$ MAX)	RATED CURRENT (A max)
RD-8040D-102	1.0	0.009	9.0
RD-8040D-152	1.5	0.010	8.0
RD-8040D-222	2.2	0.012	7.0
RD-8040D-332	3.3	0.015	6.4
RD-8040D-472	4.7	0.018	5.4
RD-8040D-682	6.8	0.027	4.6
RD-8040D-103	10	0.038	3.8
RD-8040D-153	15	0.046	3.0
RD-8040D-223	22	0.085	2.6
RD-8040D-333	33	0.10	2.0
RD-8040D-473	47	0.14	1.6
RD-8040D-683	68	0.20	1.4
RD-8040D-104	100	0.28	1.2
RD-8040D-154	150	0.40	1.0
RD-8040D-224	220	0.61	0.8
RD-8040D-334	330	1.02	0.6
RD-8040D-474	470	1.27	0.5
RD-8040D-684	680	2.02	0.4
RD-8040D-105	1000	3.00	0.3

## FEATURES

- Height 5.35mm Max.
- Suitable for large current.
- Ideal for DC/DC converter inductor application in hand help LCD monitor,note-book graphic-card etc.
- Available tape and reel for auto insertion.
- Suitable for reflow soldering.
- Custom design available.
- Lowest cost and high performance.

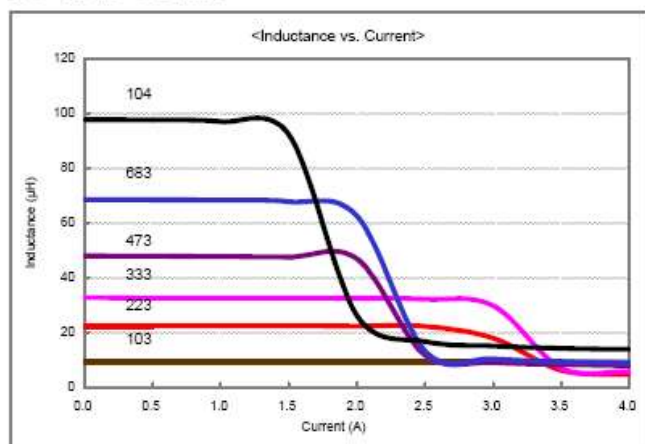
1. Test Condition : 100KHz , 0.1V

2 Electrical specification at 25°C

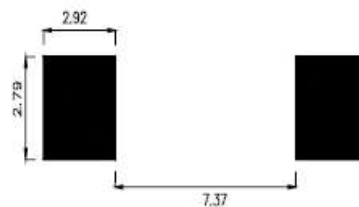
3. Test Instrument : WaneKerr Precision Magnetics Analyzer 3260B.

4. Rated current :  $\Delta T=30^\circ\text{C}$  rise or The inductance becomes 10% lower than its nominal value( $T_a=25^\circ\text{C}$ )

## DC BIAS CURVE



## Land Pattern

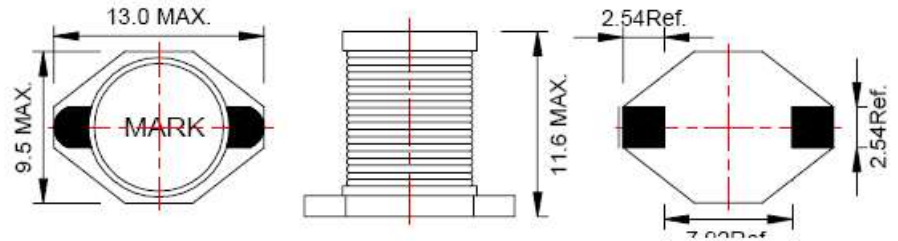




# SMD POWER INDUCTOR RD-8090D SERIES

## DIMENSION

UNIT(mm)



## ELECTRICAL CHARACTERISTICS

PART NUMBER	INDUCTANCE ( $\mu\text{H} \pm 20\%$ )	DC.R $\Omega$ MAX	RATED CURRENT (A max)
RD-8090D-103	10	0.040	8.0
RD-8090D-153	15	0.050	7.0
RD-8090D-223	22	0.066	5.5
RD-8090D-333	33	0.080	4.0
RD-8090D-473	47	0.11	3.8
RD-8090D-683	68	0.17	3.0
RD-8090D-104	100	0.22	2.5
RD-8090D-154	150	0.34	2.0
RD-8090D-224	220	0.44	1.6
RD-8090D-334	330	0.70	1.2
RD-8090D-474	470	0.95	1.0
RD-8090D-684	680	1.2	1.0
RD-8090D-105	1000	2.0	0.8

## FEATURES

- Height 11.6mm Max.
- Suitable for large current.
- Ideal for DC/DC converter inductor application in hand help LCD monitor, note-book graphic-card etc.
- Available tape and reel for auto insertion.
- Suitable for reflow soldering.
- Custom design available.
- Lowest cost and high performance.

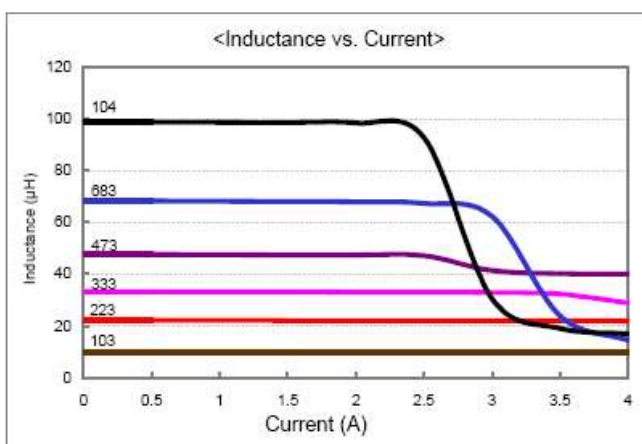
1. Test Condition : 100KHz , 0.1V

2 Electrical specification at 25°C

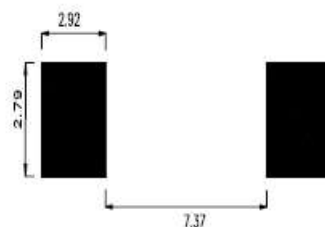
3. Test Instrument : WaneKerr Precision Magnetics Analyzer 3260B.

4. Rated current :  $\Delta T = 30^\circ\text{C}$  rise or The inductance becomes 10% lower than its nominal value( $T_a = 25^\circ\text{C}$ )

## DC BIAS CURVE



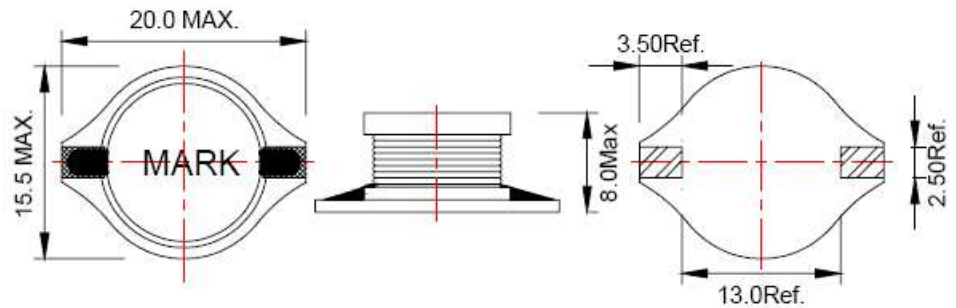
## Land Pattern



# SMD POWER INDUCTOR RD-1260D SERIES

## DIMENSION

UNIT(mm)



## ELECTRICAL CHARACTERISTICS

PART NUMBER	INDUCTANCE ( $\mu\text{H} \pm 20\%$ )	DC.R ( $\Omega$ MAX)	RATED CURRENT (A max)
RD-1260D-102	1	0.009	20
RD-1260D-222	2.2	0.014	16.0
RD-1260D-332	3.3	0.02	14.0
RD-1260D-562	5.6	0.025	12.0
RD-1260D-103	10	0.031	10.00
RD-1260D-153	15	0.04	8.00
RD-1260D-223	22	0.05	7.00
RD-1260D-333	33	0.07	5.5
RD-1260D-473	47	0.09	4.50
RD-1260D-683	68	0.13	3.500
RD-1260D-104	100	0.19	3.000
RD-1260D-154	150	0.25	2.600
RD-1260D-224	220	0.38	2.400
RD-1260D-334	330	0.56	1.900
RD-1260D-474	470	0.85	1.400
RD-1260D-684	680	1.1	1.200
RD-1260D-105	1000	1.8	1.000

## FEATURES

- Height 8.0mm Max.
- Suitable for large current.
- Ideal for DC/DC converter inductor application in hand help LCD monitor, note-book graphic-card etc.
- Available tape and reel for auto insertion.
- Suitable for reflow soldering.
- Custom design available.
- Lowest cost and high performance.

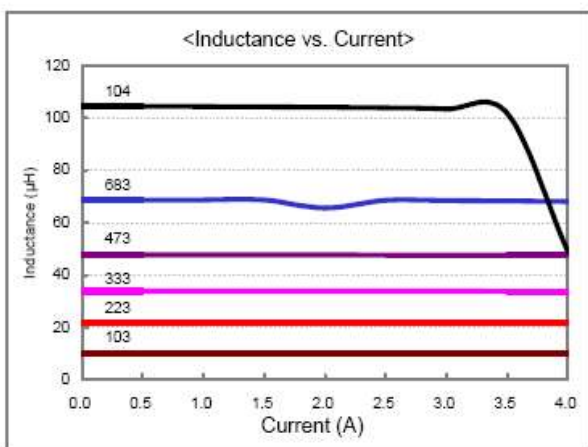
1. Test Condition : 100KHz , 0.1V

2. Electrical specification at 25°C

3. Test Instrument : WaneKerr Precision Magnetics Analyzer 3260B.

4. Rated current :  $\Delta T=30^\circ\text{C}$  rise or The inductance becomes 10% lower than its nominal value( $T_a=25^\circ\text{C}$ )

## DC BIAS CURVE



## Land Pattern

